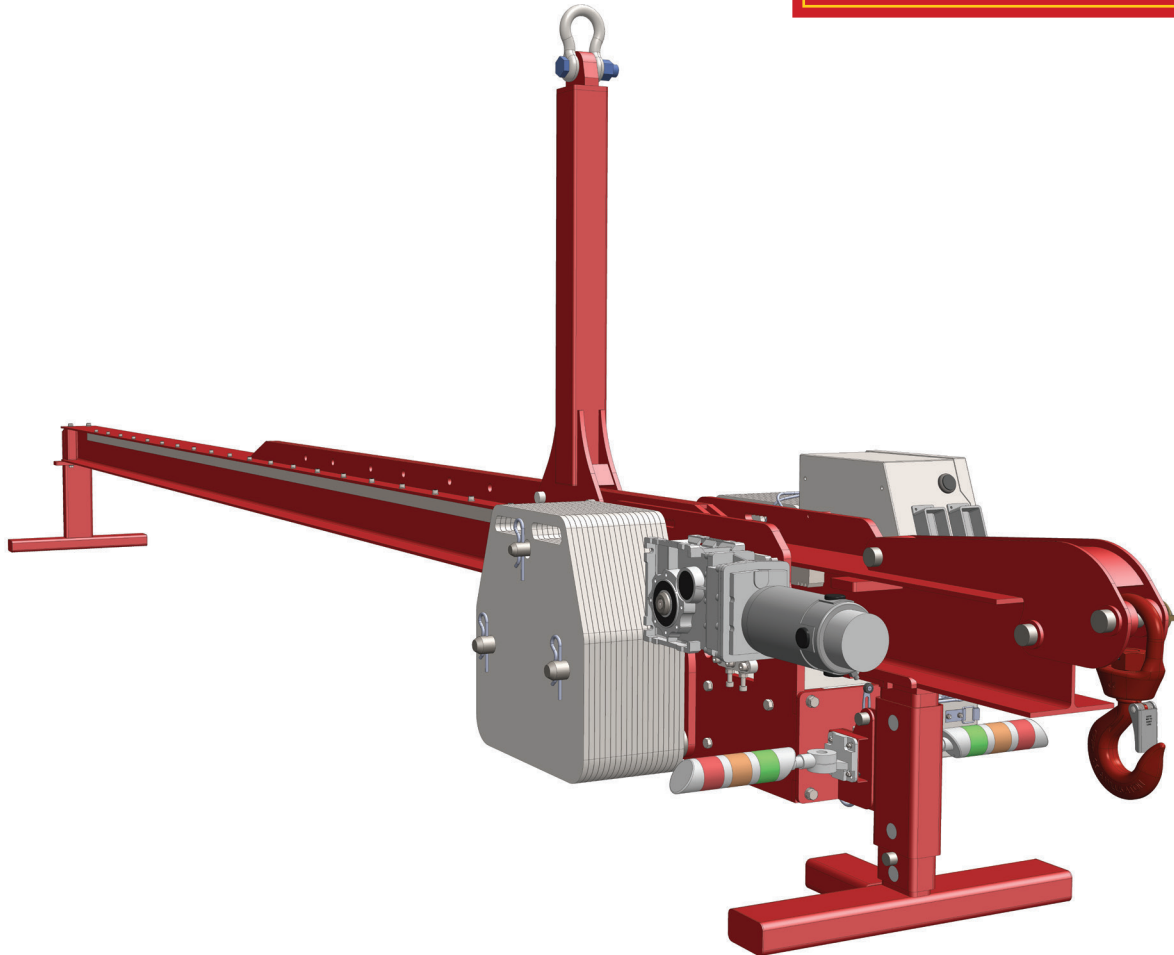


Variable Overhang Beam

1500kg
Safe Working Load



Variable Overhang Beam

The Libro system is designed for maximum flexibility and efficiency. It comes with three configurable beams and one trolley (counterweight). The key advantage of this equipment is its modular design—the trolley can be easily detached and shifted between any of the three beams based on site requirements. This feature ensures seamless adaptability in tight or restricted spaces while also providing improved reach wherever needed. Ideal for customers who need a versatile lifting solution without compromising on safety or performance.

Technical Specifications

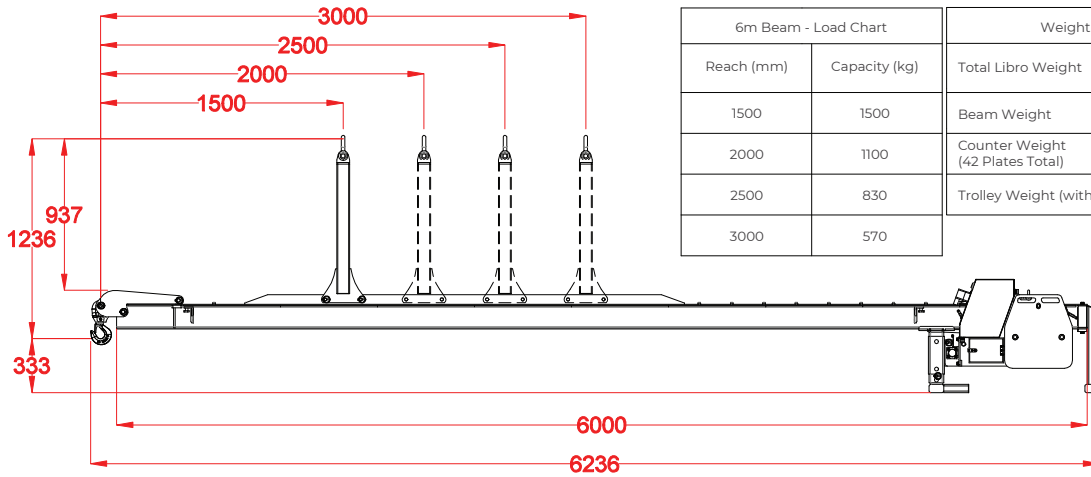
Safe working load	Config A : 1500kg B : 1200kg C : 1100kg
Weight of lifter	Config A : 810kg B : 780kg C : 730kg
Depth of overhang Beam	1000mm - 3000mm
Balance control	Rack and pinion counterweight saddle
Power requirements	24V DC rechargeable battery 240V battery charger
Standard accessories	Cable remote control to operate Counterweight saddle

Key Features

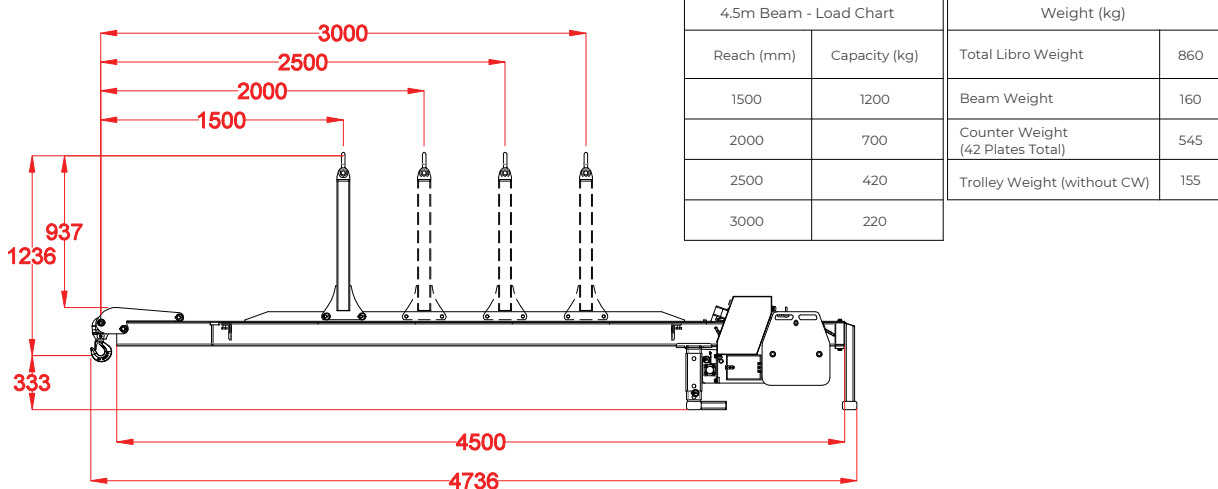
- Lifts up to 1500 kg (based on configuration).
- Modular system with configurable beam.
- Overhang reach adjustable 1000–3000 mm.
- Rack & pinion counterweight balance.
- 24V DC battery with 240V charger.
- Radio remote control (optional).

Variable Overhang Beam

Libro 1500 Overhang Beam (Config A)



Libro 1200 Overhang Beam (Config B) - Available on Demand



Libro 1100 Overhang Beam (Config C) - Available on Demand

