

SPA27J



SPA27J

The Sinoboom SPA27J Spider Lift is a high-performance tracked aerial platform designed for demanding, confined, and sensitive work environments. With a working height of 27 meters and platform height of 25 meters, it provides outstanding vertical reach and outreach for applications such as building maintenance, tree care, facility management, and industrial installations. The dual telescopic boom enables superior under-reaching and obstacle clearance, while the 360° continuous turntable rotation allows efficient positioning with minimal downtime. Its non-marking, independently adjustable crawler tracks ensure stability and surface protection on slopes, stairs, and uneven terrain. Compact and lightweight, the SPA27J offers excellent maneuverability in both indoor and outdoor spaces—delivering reliable performance without compromising safety.

Technical Specifications

Working Height	27m
Max. Platform Height	25m
Max. Outreach	14.2m
Up & Over	13m
Max. capacity of basket	230kg
Basket size	0.8m x 1.4m
Basket Rotation	180°
Turntable Rotation	360° continues
Min. Height (closed)	1.98m
Length (closed)	5.55m
Length (closed, basket dismantled)	4.85m
Min. width (closed)	1.4m
Min. width (closed, basket dismantled)	0.895m
Gradeability	30%
Max. side inclination	20%
Engine	Kubota
Emissions level	Euro IV / Euro V / Tier 4F
Weight	3800kg

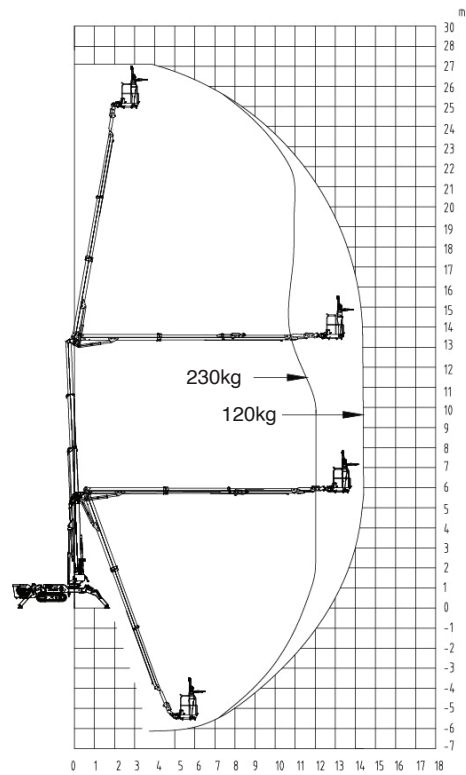
27m

Working Height

Key Features

- Maintenance-free battery
- 2-stage outrigger adjustment
- Non-marking crawlers
- Document box
- Electrophoretic coating process
- Remote fault diagnosis system
- High/low speed travel
- Load weighing system
- Triple emergency descent system
- Automatic braking system
- Wireless remote control
- Quick-release work platform
- One-touch leg leveling and individual setting
- Two-stage load capacity work platform
- Buzzer/Warning light safety alert
- Multi-stage ground clearance adjustment for undercarriage
- Variable undercarriage height and width during travel

Working Envelope



Dimensions

