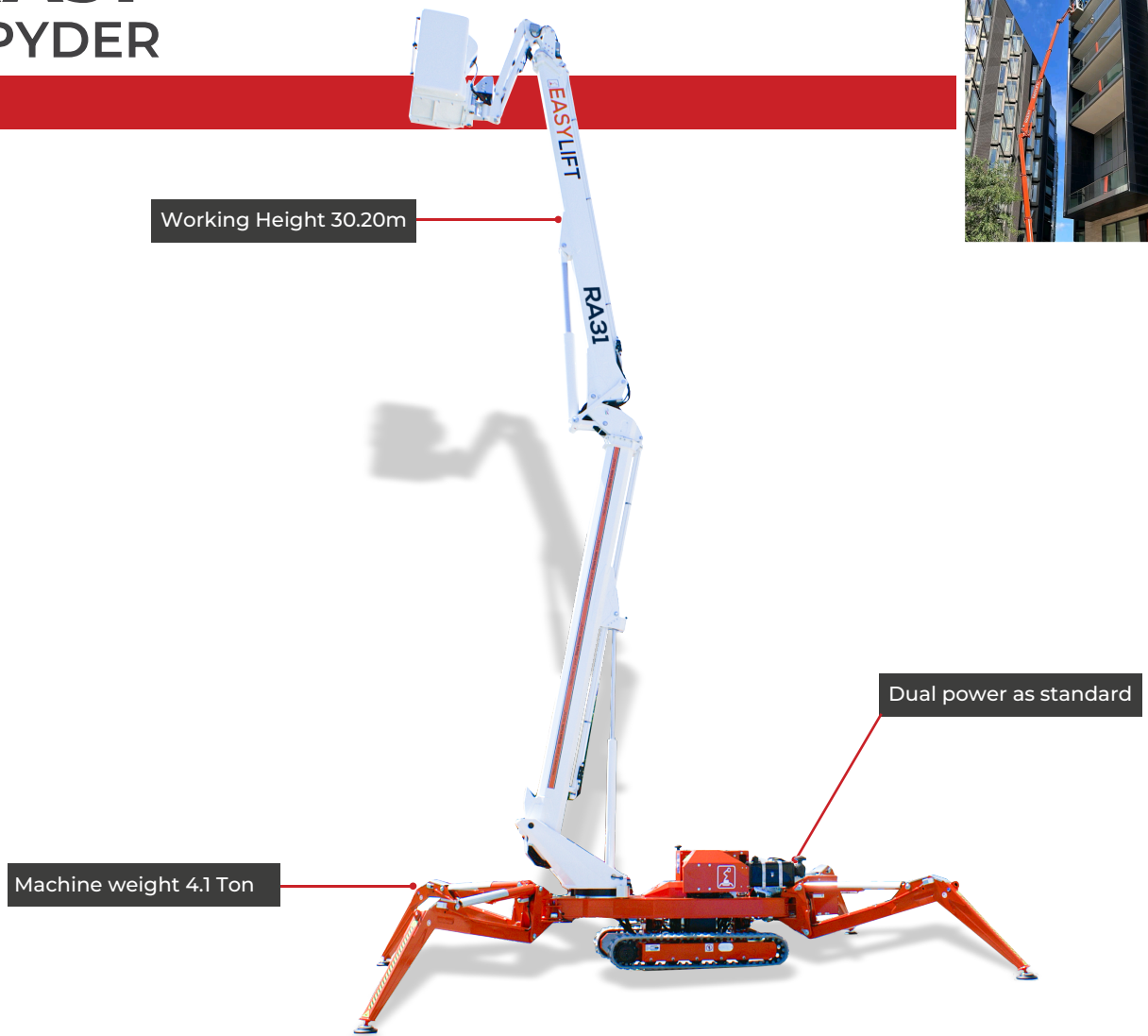
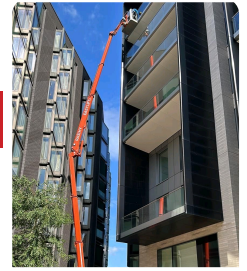


## RA31 SPYDER



### RA31 SPIDER

Spider Plus sells Easy Lift Access Platforms. We are one of the most specialized operators of this type of equipment in the market and our operations and maintenance teams are highly experienced in their respective areas. Self propelled access platforms are a unique solution to confined space lifting. Small enough to fit through a single or double doorway, they can lift up to a capacity of 230kg. Their compact nature means that they are well suited to a variety of complex maintenance problems faced by project teams operating with limited space.

#### Remotes

Electronic + Radio

Operators can safely manage the machines from outside the basket using a radio console which gives full control over the hydraulic boom, knuckle and jib.



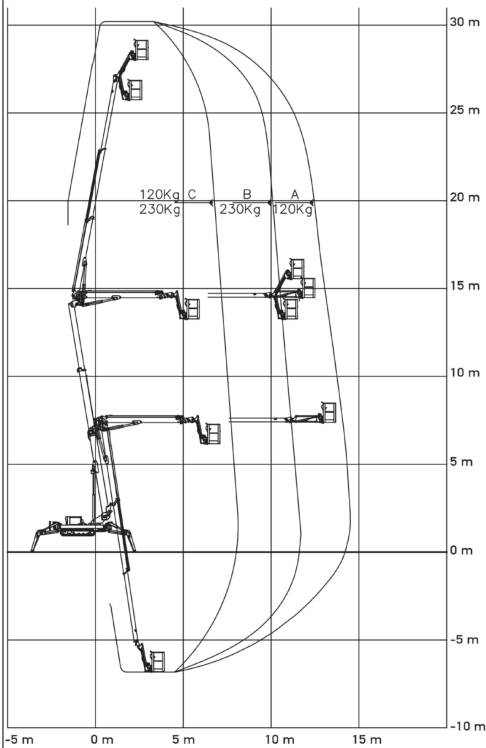
#### Technical Specifications

Working Height	30.20m
Max. Reach horizontal	14.50m
Platform Length	1.40m
Platform Width	0.70m
Lateral range	12.00m (230kg), 14.50 (120kg)
Slewing angle	440°
Radio Remote Control	Standard
Clearance Height	0.10m (Min), 0.20m (Max)
Basket Rotation	-90° +90°
Basket Capacity	230kg
Power	Diesel Engine – 18.5 kw Electrical motor 230V-3.0 kw & Optional Lithium Battery 48V-200 Ah
Closing Width	0.89m
Opening Width	3.1m - 4.50m
Machine weight	4100kg
Below Ground (Down Reach)	-6.5m
Travel speed	1.0-2.0 Km/h

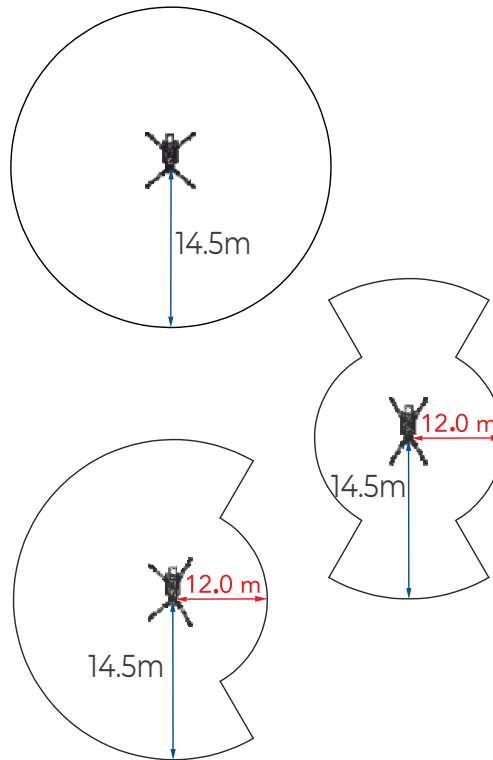
# 31m

## Working Height

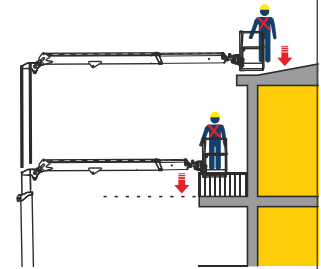
### Working Envelope



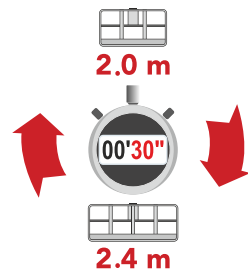
### Horizontal Reach And Out Reach Position



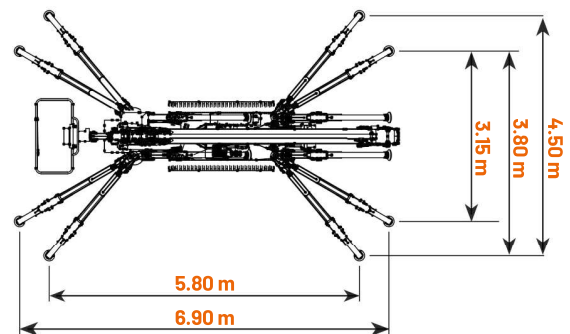
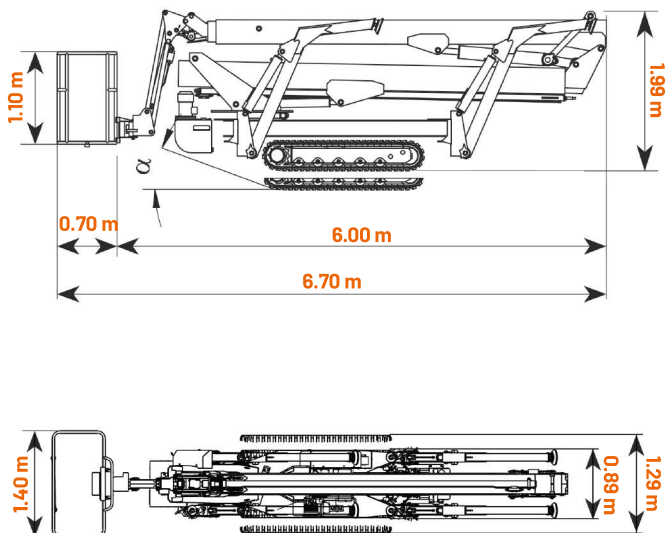
### Suitable for Dismounting



### Extendable Platform



### Dimensions



Access Platforms

# 31m

## Working Height

### Standard equipment for RA31

- Powerful track drive with hydraulic braking system
- Precise manoeuvring over sensitive radio control
- Rubber tracks with specially arranged profile providing optimum grip
- 220V (US) / 230V (EU) electric motor
- 3 kW Kubota diesel engine with electronically regulated engine control
- Start/ Stop device for the engine in the cage
- Battery drive (lithium) 48V 200 Ah (RA31HY)
- Outrigger self levelling system
- Outrigger pads
- Custom paintwork
- Variable outrigger system with one side or both sides narrow or wide setup option
- 220V (US) / 230V (EU) power socket in the cage
- High quality paint in RAL 9003 & RAL 2001
- Electric pump for emergency lowering
- Cables and hoses safely routed through the boom structure
- Lock valves on hydraulic cylinders
- Relief valves protecting the hydraulic system from too high pressures
- Protective covers for all components
- Hour meter
- Telescopic upper and lower booms



Access Platforms