

AMP26



10m working height

Platform height 8m

AMP26

AMP26 aerial work platform has 10 meters of Max Working Height. The lifting mast is made of aluminum alloy, which is corrosion-resistant and stable. The base is equipped with four stabilizers and a level. When working, the stabilizers must be installed, and the hand-operated screw bar is used to adjust the level so that the four casters are just off the ground.

Operators can easily move it through standard doorways or narrow passages without tilting the mast. AMP26 is equipped with upper and lower control systems, the operator can stand on the platform or on the ground to control the platform to move up and down.

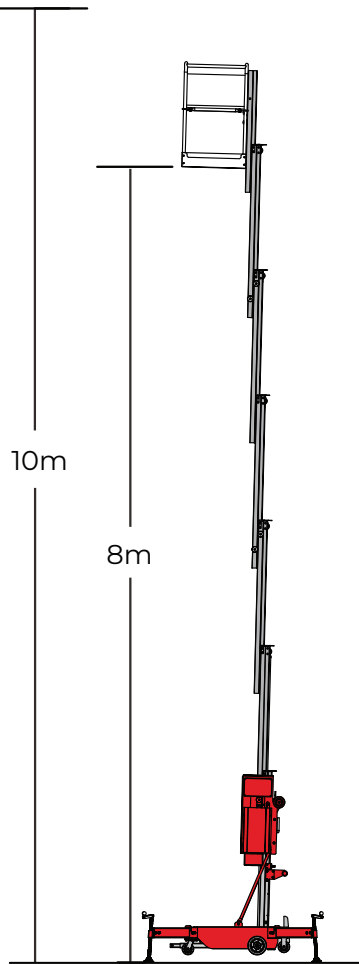
Technical Specifications

Max. working height	10.0 m
Max. Platform height	8.0 m
Lift capacity	159 kg
Basket Size	0.69 x 0.68 m
Stowed size	1.36x0.78x1.97 m
Height, tilted back	/
Length, tilted back	/
Outrigger footprint	1.77x1.49 m
Wall access front/side	0.18/0.45m
Power source (AC/DC)	220V/110V/12V
Weight (AC/DC)	400/440 kg

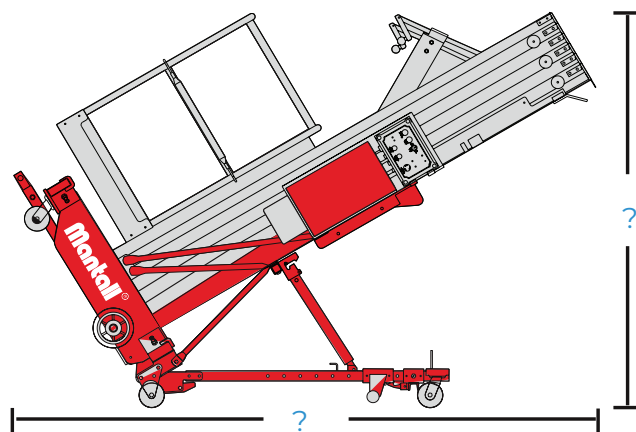
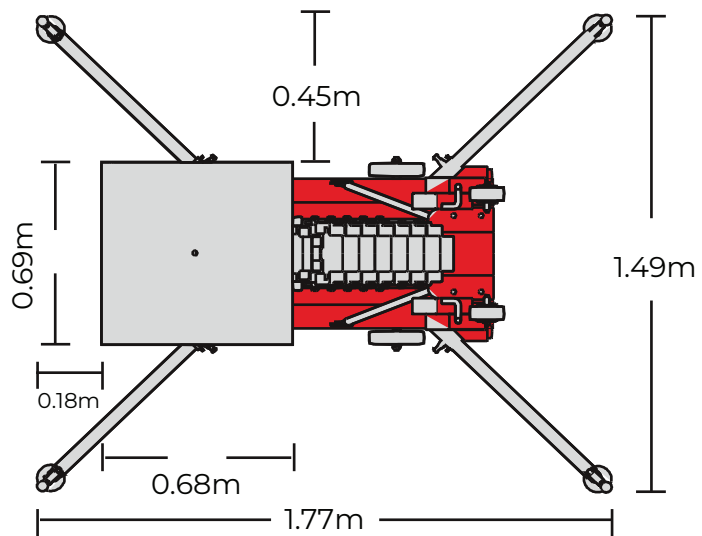
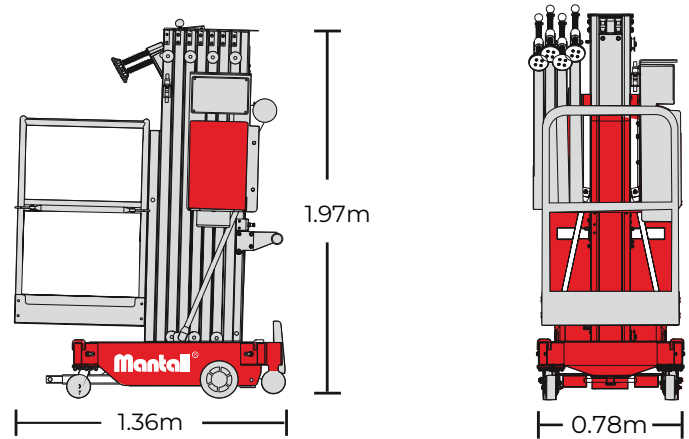
10m

Working Height

Dimensions



Dimensions



Key Features

- Aluminum Platform Basket
- Polyurethane Non-mark tires
- Leverage Ro-Ro device
- Lifting ears
- Two controls: Platform Control and Ground Control
- Lower Beeper warning
- Tilt Device (only for AMP40)
- Emergency Lower Down
- Outrigger Storage Frame
- Maintenance-free battery