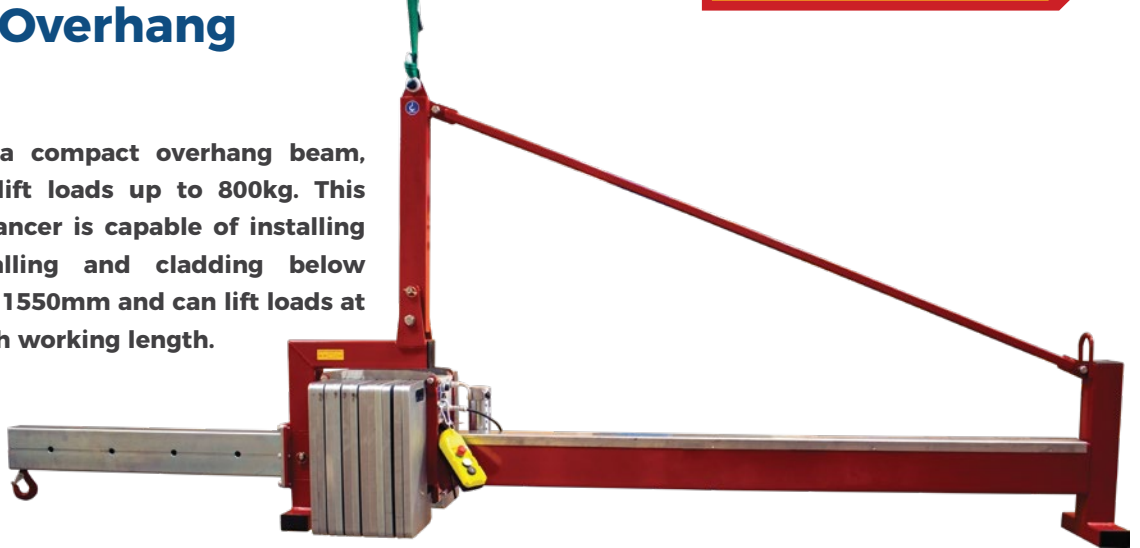


# Libro 800 Overhang Beam

**800kg**  
Safe Working Load

## Compact Overhang Beam

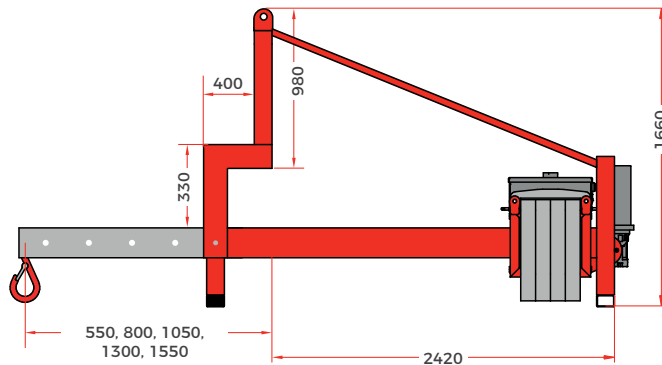
The Libro 800 is a compact overhang beam, which is able to lift loads up to 800kg. This counterweight balancer is capable of installing glass, curtain walling and cladding below overhangs of up to 1550mm and can lift loads at full capacity at each working length.



The Libro 800 overhang beam features an integrated hook and can be used with a below-the-hook vacuum lifter, which are also offered for hire or sale from Spider Plus. This compact overhang beam can be attached to both mobile or tower crane and is suitable for installation projects at height. The Libro 800 features an anti-tilt switch, which stops the counterweight balancer tilting past  $\pm 10^\circ$  for safety.

Libro 800 is fitted with a rechargeable battery to power the adjustable 30 counterweight rack and pinion saddle. Controlled by cable remote, the counterweight saddle can be moved along the beam to balance the load being lifted.

### Dimensions



Cable remote control for saddle

#### Note:

The weight of load and vacuum lifter combined cannot exceed 800kg

### Technical Specifications

<b>Safe working load</b>	capacity	800kg
<b>Weight of lifter</b>	with 24 counterweights	810kg
	without counterweights	210kg
<b>Working Lengths</b>	mm	550, 800, 1050, 1300, 1550mm
<b>Depth of overhang</b>	max	1550mm
<b>Balance control</b>	control:	Rack and pinion counterweight saddle
<b>Power requirements</b>	options:	24V DC rechargeable battery 110/240V battery charger
<b>Standard accessories</b>	standard:	• Cable remote control to operate • Counterweight saddle

### Key Features

- Capacity: 800kg
- Integrated hook
- $\pm 10^\circ$  Anti-Tilt Switch
- Cable remote control for counterweight saddle
- Weight:
  - 810kg approx. (with counterweights)
  - 210kg approx. (without counterweights)
  - 1 counterweight = 25kg