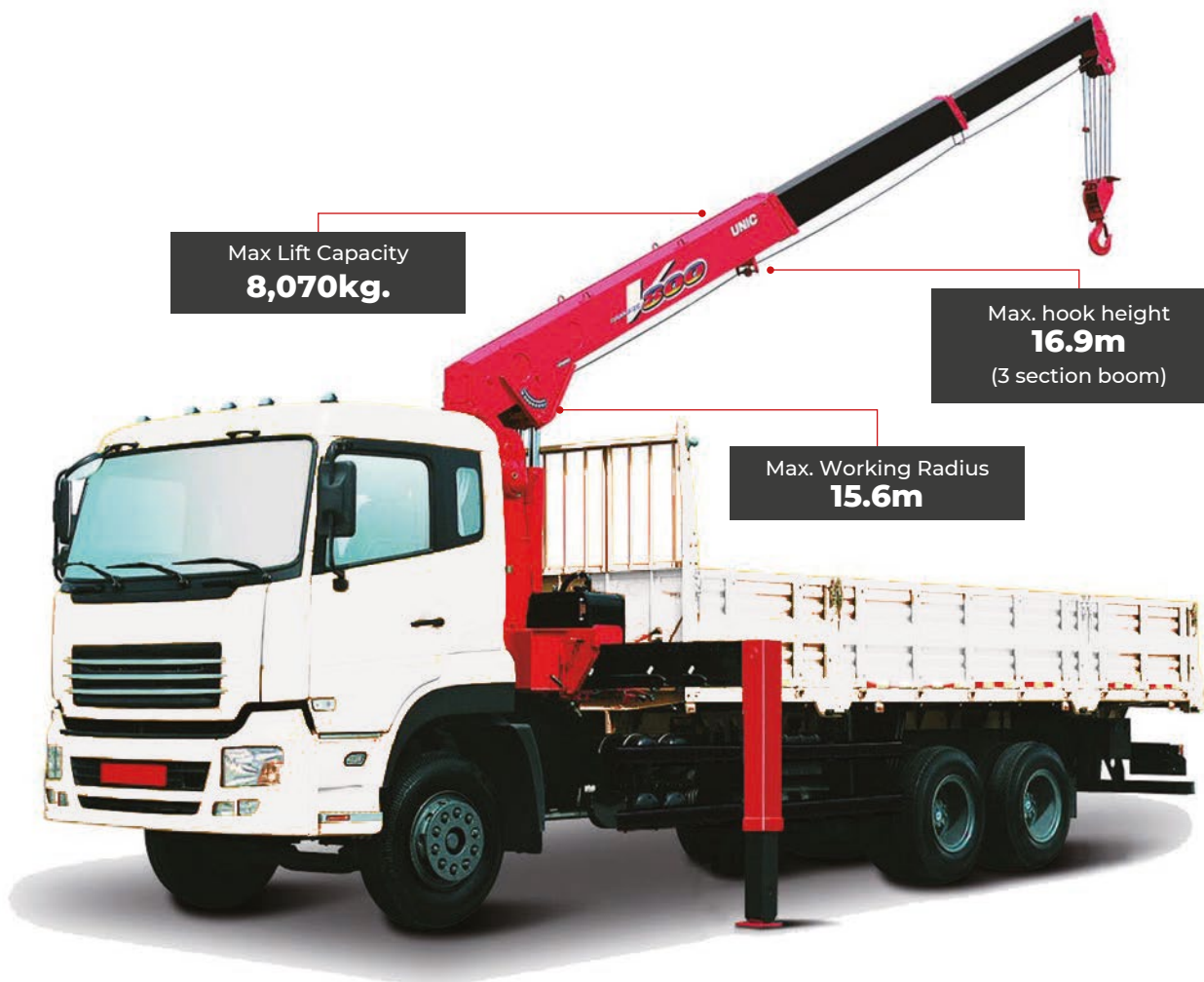


UR-V800K-CID

Hydraulic Crane



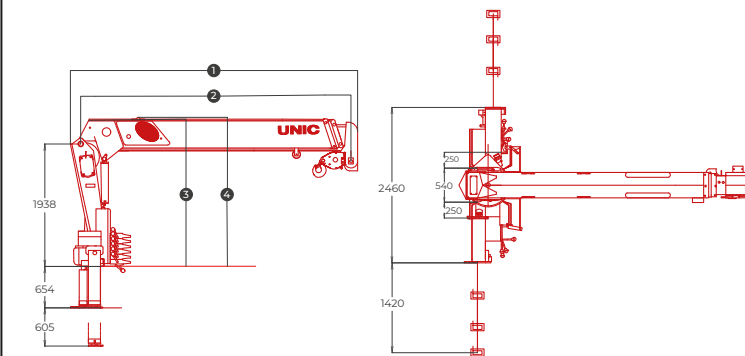
Max Lift Capacity
8,070kg.

Max. hook height
16.9m
(3 section boom)

Max. Working Radius
15.6m

Crane Mounting Dimensions

No.	URV805	URV804	URV803
①	4,743	4,643	4,543
②	Min. 4,400 ~ Mid. 7,300 ~ 10,200 ~ 13,000 ~ Max. 15,900	Min. 4,300 ~ Mid. 7,200 ~ 10,000 ~ Max. 12,800	Min. 4,200 ~ Mid. 6,900 ~ Max. 9,500
③	2,437	2,359	2,357
④	2,467	2,384	2,355



Drawing: UR-V803 (Unit: mm)



NOTE

- Fully extend all outriggers on Solid, level surface leveling vehicle.
- Rated loads shown in the chart are based on the crane strength rather than stability.
- Rated loads shown must be reduced in accordance with vehicle weight, loaded condition of truck, crane mounting position, wind, ground condition and operating speed.
- The mass of hook(70kg), slings, and any accessories attached to the boom or loadline must be deducted from the above rated loads in the chart.
- In accordance with our policy of constant product improvement, all specifications are subject to change without notice or obligations.

8.07t

Maximum Lifting Capacity

SPIDER PLUS

URV805K-CID Rated Loads

Unit: kg

Working Radius (m) \ Boom Length (m)	2.5	2.7	3.0	3.5	4.0	4.5	5.0	5.5	6.0	7.0	8.0	9.0	10.0	11.0	12.0	13.0	14.0	15.0	15.6
4.4m ①	8,070	7,070	6,070	5,170	4,470(4.1m)														
7.3m ①+②	6,070	6,070	6,070	5,170	4,570	4,120	3,670	3,320	2,970	2,370									
10.2m ①+②+③	3,070	3,070	3,070	3,070	3,070	3,070	3,070	3,070	2,870	2,370	1,970	1,720	1,570(9.9m)						
13.0m ①+②+③+④			2,610	2,610	2,610	2,610	2,610	2,610	2,610	2,120	1,720	1,520	1,320	1,170	1,020	920(12.7m)			
16.9m ①+②+③+④+⑤				2,070	2,070	2,070	2,070	2,070	2,070	1,970	1,720	1,520	1,320	1,170	1,020	870	770	670	570

URV804K-CID Rated Loads

Unit: kg

Working Radius (m) \ Boom Length (m)	2.0	2.5	2.7	3.0	3.5	4.0	4.5	5.0	5.5	6.0	7.0	8.0	9.0	10.0	11.0	12.0	12.5
4.3m ①	8,070	8,070	7,070	6,070	5,170	4,750											
7.2m ①+②	6,070	6,070	6,070	6,070	5,170	4,570	4,120	3,670	3,320	2,970	2,420(6.9m)						
10.0m ①+②+③	3,070	3,070	3,070	3,070	3,070	3,070	3,070	3,070	3,070	2,870	2,370	1,970	1,720	1,570(9.7m)			
12.8m ①+②+③+④				2,670	2,670	2,670	2,670	2,670	2,670	2,470	2,020	1,770	1,570	1,370	1,170	1,020	970

URV803K-CID Rated Loads

Unit: kg

Working Radius (m) \ Boom Length (m)	2.0	2.5	2.7	3.0	3.5	4.0	4.5	5.0	5.5	6.0	7.0	8.0	9.2
4.2m ①	8,070	8,070	7,070	6,070	5,170	4,670(3.9m)							
6.9m ①+②		6,070	6,070	6,070	5,170	4,570	4,120	3,670	3,370	3,070	2,670(6.6m)		
9.5m ①+②+③				3,070	3,070	3,070	3,070	3,070	3,070	3,070	2,470	2,070	1,670

Specifications Table

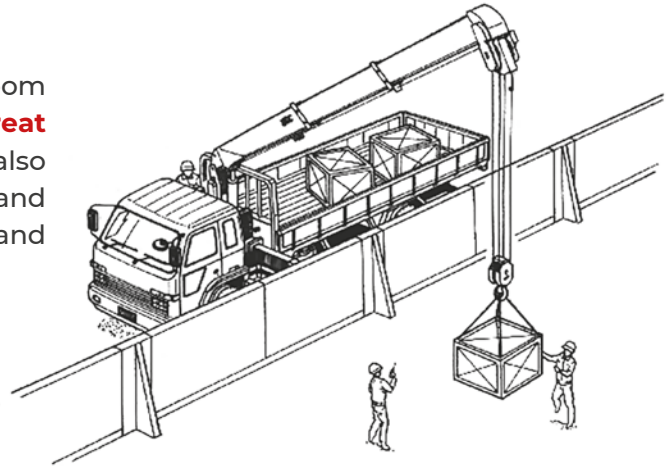
Model	UR-V805	UR-V804	UR-V803
Maximum Lifting Capacity	8,070 kg at 2.5m		
Maximum Hook Height	16.9m	14m	10.8m
Working Radius	Min. 1.28m to Max. 15.6m	Min. 1.24m to Max. 12.5m	Min. 1.21m to Max. 9.2m
Boom Length	Min. 4.4m to Max. 15.9m	Min. 4.3m to Max. 12.8m	Min. 4.2m to Max. 9.5m
Boom Sections	5	4	3
Boom Raising Speed	1° to 72° / 22.5s		
Winch Single Line Pull	13.2kN [1,345kgf]		
Winch Hook Speed	9.8m/min at 4th layer with 6-part line		
Winch Wire Rope	6x26WS+IWRø10mmx129m	6x26WS+IWRø10mmx108m	6x26WS+IWRø10mmx86m
	[Breaking strength; 66.6kN [6,800kgf]]		
Slewing Range/Speed	360° Continuous / 1.5rpm		
Outtrigger Span	Retracted:2.26m Extended:5.1m Mid-extended:3.3m,4.3m		
Safety Devices	Pressure Relief Valve for Hydraulic Circuit / Counterbalance Valves for Boom Raising and Boom Telescoping Cylinders / Pilot-operated Check Valves for Vertical Outtrigger Cylinders / Boom Angle Indicator / Hook Safety Latch / Automatic Mechanical Brake for Winch / Loadmeter / Overwinding Alarm / Warning Horn / Level/Automatic Stop for Unwinding		
Option	Overloading Alarm / Rear Outrigge		
Crane Mass	3,400kg	3,100kg	2,850kg

TRUCK MOUNTED CRANES

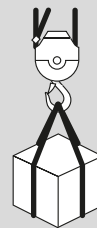
UNIC CRANES: HIGH, LOW, OR TIGHT, THEY'RE SAFE, SURE, AND DEPENDABLE.

High, Low, or Tight, UNIC Straight-Boom Wire-Rope cranes match the task. **They are great high-lift performers**, Lifting loads over walls is also no problem with their unrestricted raising and lowering. In deep-hole jobs they're strong, and accurate.

Many extra safety features, too...



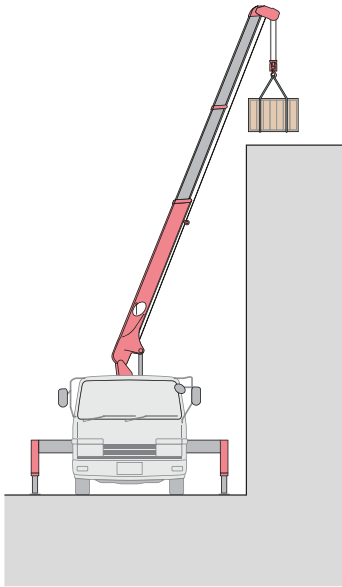
NOTE



**HOOK
+
SLINGS
+
LOAD
=
RATED LOAD**

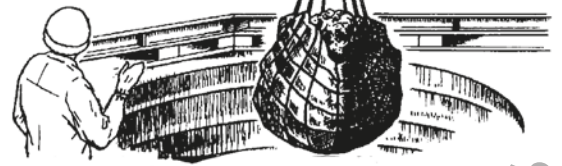
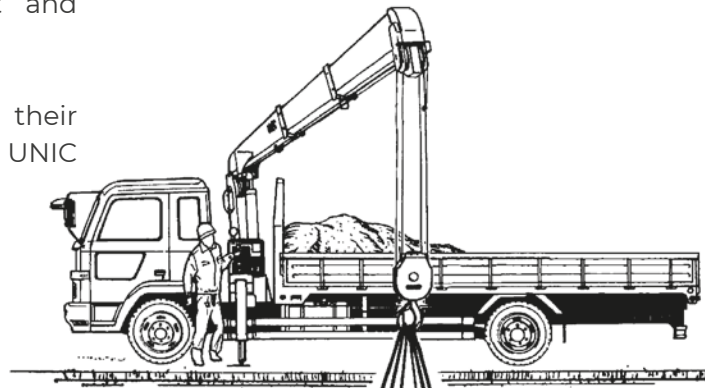
1. Rated loads shown in the chart are based on the crane strength with the outriggers fully extended on a firm level ground and on the actual working radius including the deflection of boom.
2. The weights of hook (30 kg.), slings, and any accessories attached to the boom or loadline must be deducted from the above capacities in the chart.
3. Capacities shown must reduce in accordance with vehicle weight and loaded condition of truck, crane mounting position, and operating speed.
4. The figures in relation to the speed are on the basis of no-load running at rated oil flow conditions.
5. In accordance with our policy of constant product improvement, all specifications are subject to change without notice or obligations.

UNIC CRANES FEATURES



Buildings, walls, whatever, with UNIC wire-rope cranes you get precise high-lift placement and safe, sure operation.

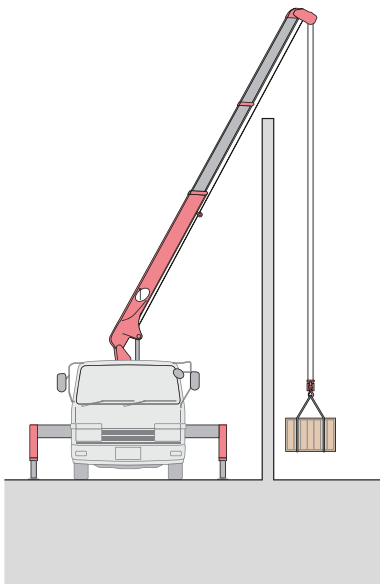
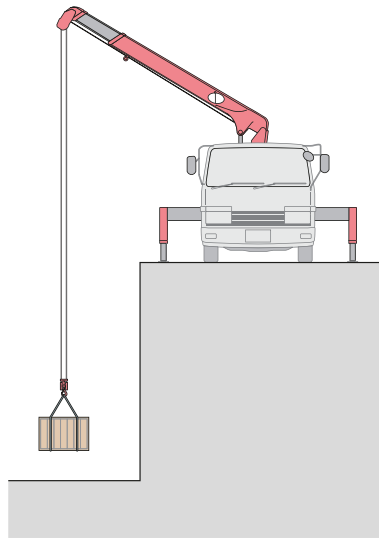
Their dependability is all in their strength and design, original UNIC features.



Higher Performance at lower depths.

UNIC wire-rope cranes handle heavy loads in deep-hole jobs with accuracy and stability.

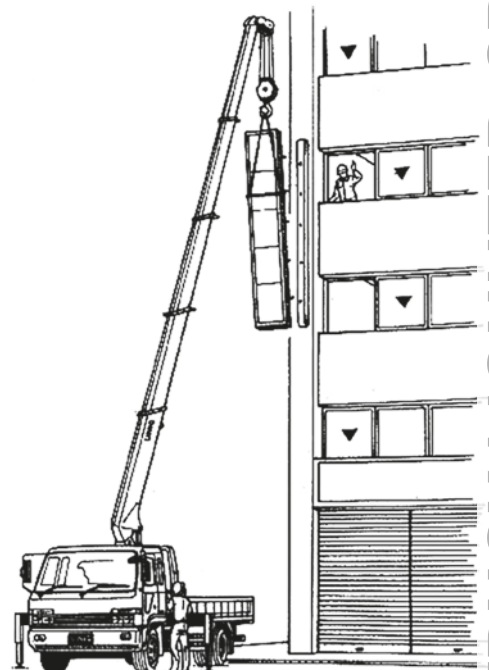
A wide range of models assures versatile matching to job requirements.



Tight Places are the Right Places for UNIC wire-rope cranes.

In any operating situation their strong steel cables mean extra dependability and safety.

High, low, or tight, UNIC wire-rope cranes are always right.



TRUCK MOUNTED CRANES