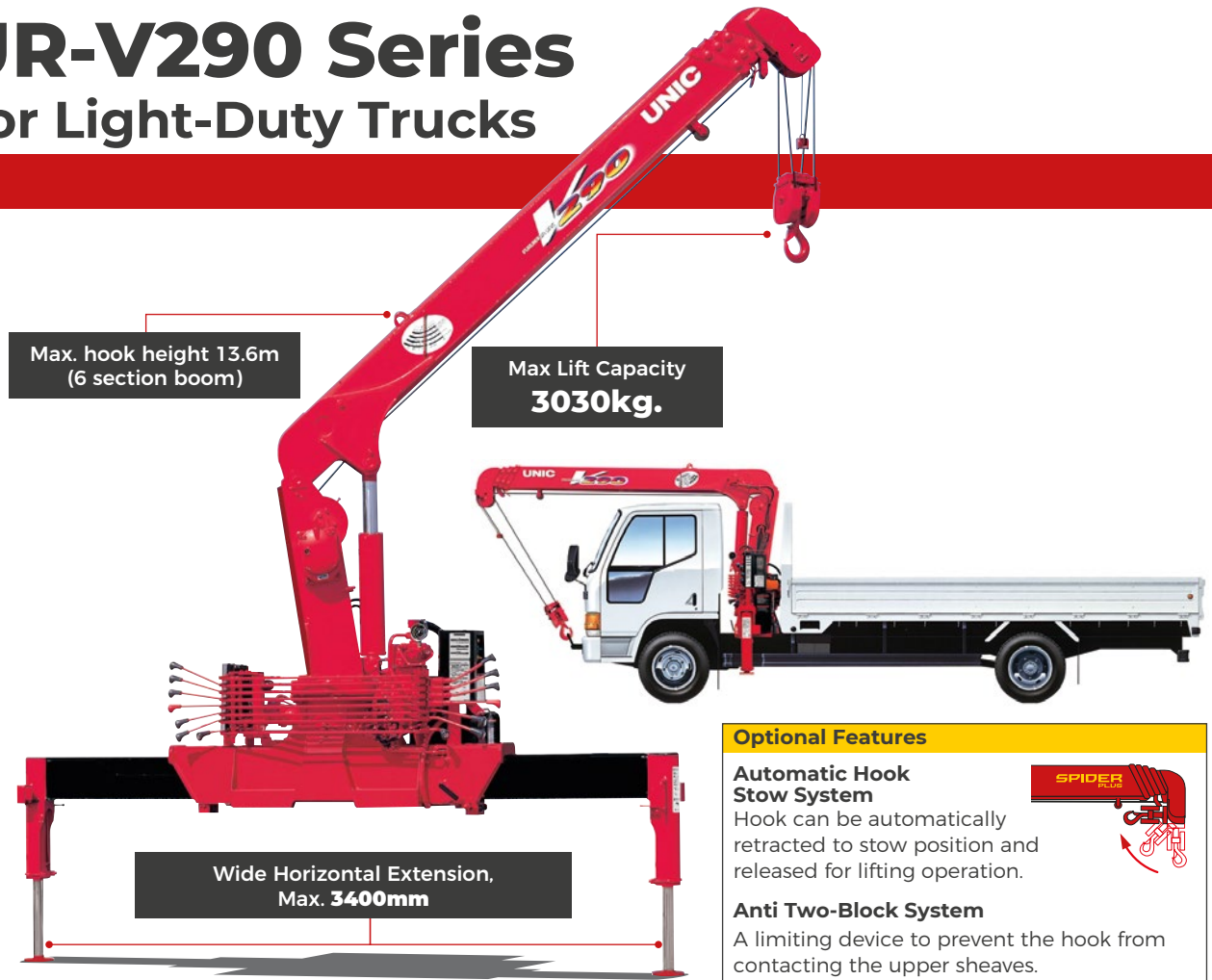


# UR-V290 Series

## For Light-Duty Trucks



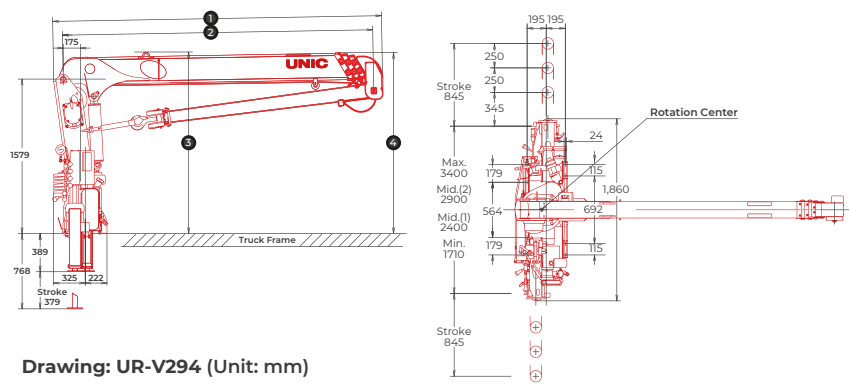
**Optional Features**

**Automatic Hook Stow System**  
 Hook can be automatically retracted to stow position and released for lifting operation.

**Anti Two-Block System**  
 A limiting device to prevent the hook from contacting the upper sheaves.

### Crane Mounting Dimensions

Crane Model	①	②	③	④
UR-V293	2979	Min. 2790 ~ Mid. 4720 ~ Max. 6600	1859	1851
UR-V294	3359	Min. 3170 ~ Mid. 5100 ~ 7000 ~ Max. 8900	1856	1849
UR-V295	3339	Min. 3150 ~ Mid. 5080 ~ 7000 ~ 8900 ~ Max. 10800	1917	1910
UR-V296	3439	Min. 3250 ~ Mid. 5180 ~ 7100 ~ 9000 ~ 10900 ~ Max. 12800	1963	2043



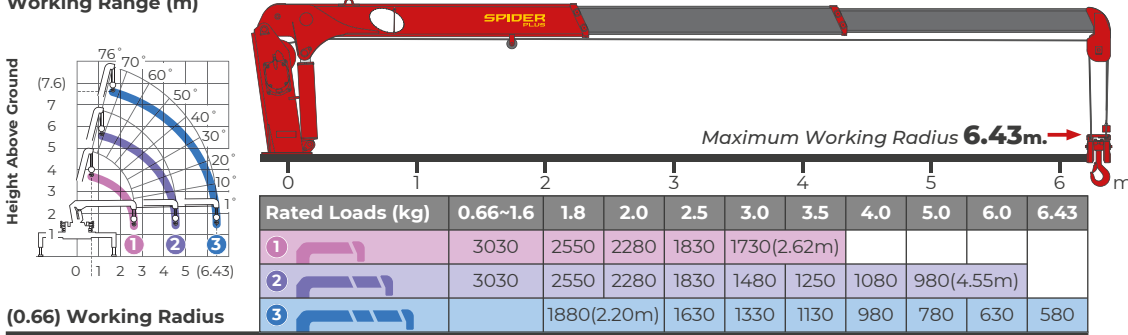
### Specifications Table

Crane Model	UR-V293	UR-V294	UR-V295	UR-V296
Maximum Lifting Capacity	3030kg at 1.6m	3030kg at 1.6m	3030kg at 1.5m	3030kg at 1.5m
Maximum Hook Height	Max. 7.6m	Max. 9.8m	Max. 11.7m	Max. 13.6m
Maximum Working Radius	Min. 0.66m to Max. 6.43m	Min. 0.75m to Max. 8.73m	Min. 0.75m to Max. 10.63m	Min. 0.78m to Max. 12.63m
Boom Length	Min. 2.79m to Max. 6.60m	Min. 3.17m to Max. 8.90m	Min. 3.15m to Max. 10.80m	Min. 3.25m to Max. 12.80m
Boom Sections	3	4	5	6
Boom Raising Angle	Min. 1° to Max. 76°	Min. 1° to Max. 76°	Min. 1° to Max. 76°	Min. 1° to Max. 76°
Slewing Angle (Continuous)	360°	360°	360°	360°

## 3.03t Maximum Lifting Capacity

### V293 3 Section Boom

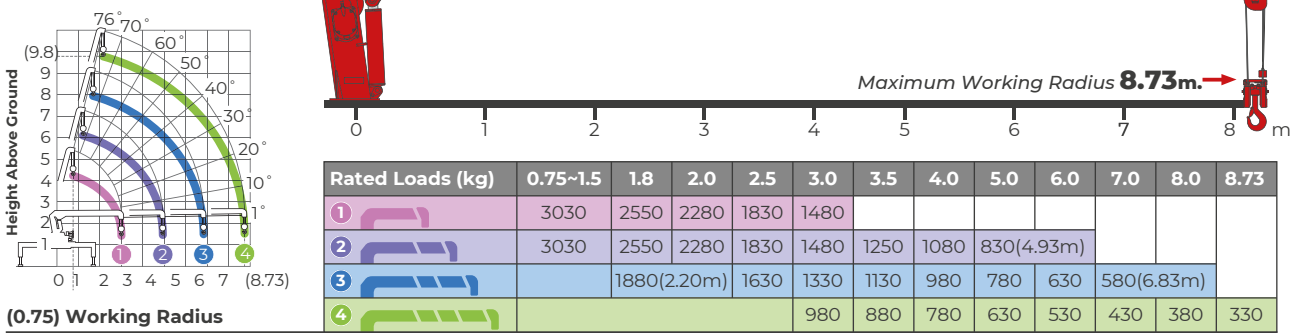
Working Range (m)



(0.66) Working Radius

### V294 4 Section Boom

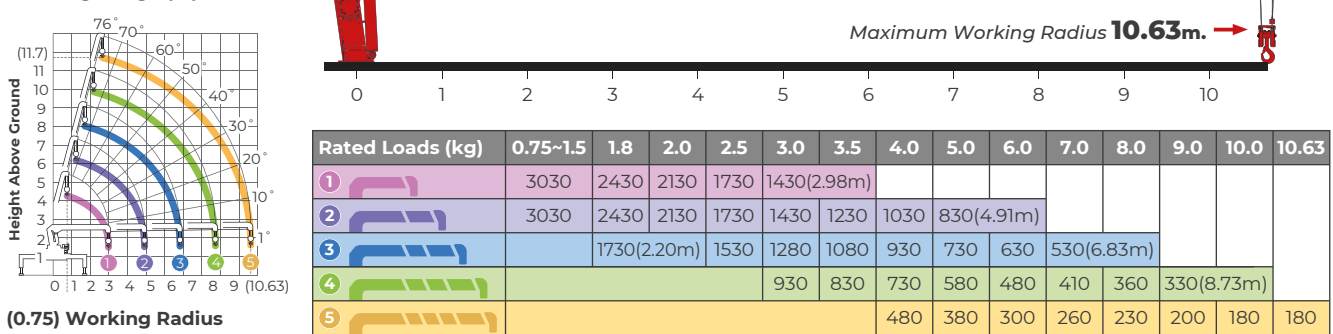
Working Range (m)



(0.75) Working Radius

### V295 5 Section Boom

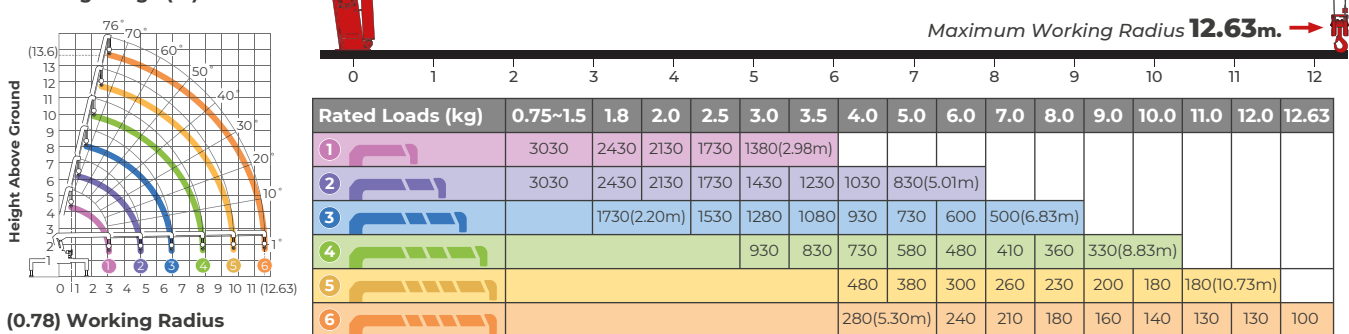
Working Range (m)



(0.75) Working Radius

### V296 6 Section Boom

Working Range (m)



(0.78) Working Radius

TRUCK MOUNTED CRANES