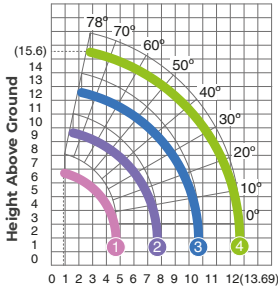


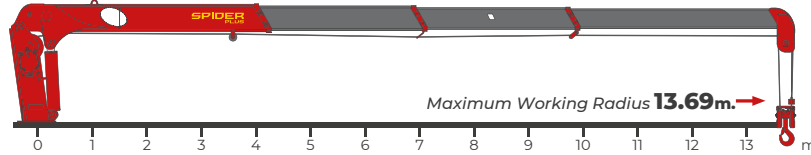
10.1t
Maximum Lifting Capacity

URV1004 4 Section Boom

Working Range (m)



(0.95) Working Radius



Rated Loads (kg)	0.95~2.5	2.7	3.0	3.5	4.0	4.5	5.0	5.5	6.0	7.0	8.0	9.0	10.0	11.0	12.0	13.69	
1	10100	9100	8400	7250	6350	5300(4.69m)											
2	6600	6600	6600	6000	5300	4700	4300	3850	3600	3100	2700(7.69m)						
3			5300	5300	4600	4100	3700	3400	3100	2700	2300	2000	1800	1600(10.69m)			
4			4100	4100	4100	4100	3700	3400	3100	2700	2300	2000	1800	1600	1300	1000	

Select Control Type

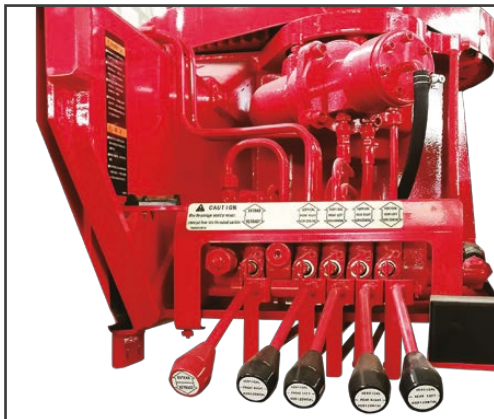


Top Seat-Control Version



Base-Control Version

Standard Equipments



Outrigger Control from Base



Derrick Cylinder Pressure Alert System

It alerts excessive overload and stop the crane to minimize the crane structural damage. (It does not warrant that this device protects the crane itself from the overload.)



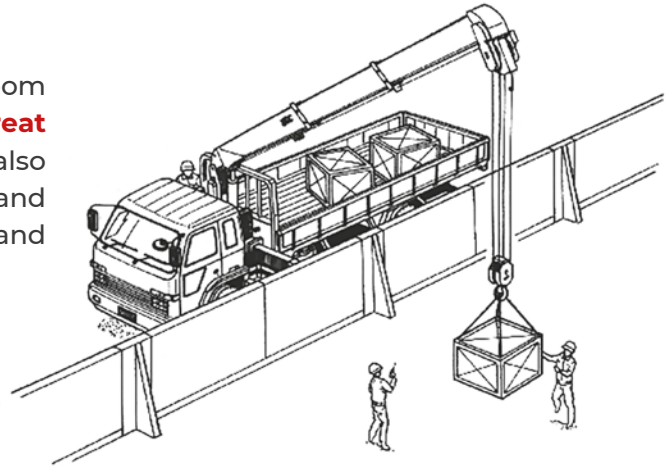
Oil Cooler (with Thermostat)

ON: 70°C
OFF: 50°C

UNIC CRANES: HIGH, LOW, OR TIGHT, THEY'RE SAFE, SURE, AND DEPENDABLE.

High, Low, or Tight, UNIC Straight-Boom Wire-Rope cranes match the task. **They are great high-lift performers**, Lifting loads over walls is also no problem with their unrestricted raising and lowering. In deep-hole jobs they're strong, and accurate.

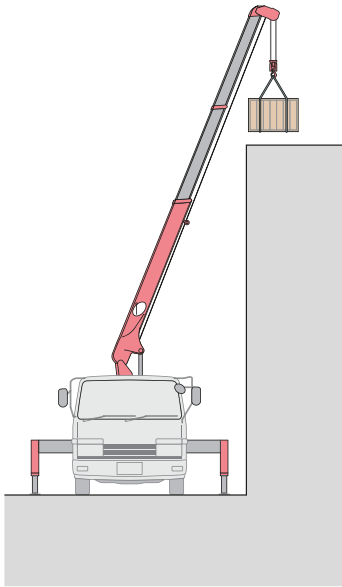
Many extra safety features, too...



HOOK
+
SLINGS
+
LOAD
=
RATED LOAD

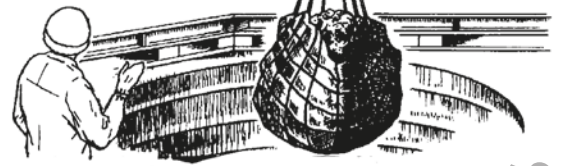
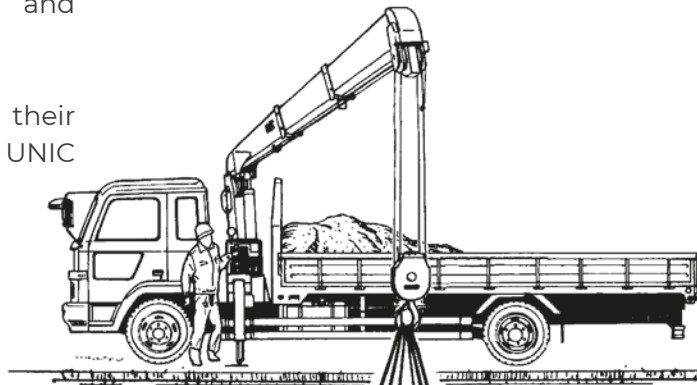
1. Rated loads shown in the chart are based on the crane strength with the outriggers fully extended on a firm level ground and on the actual working radius including the deflection of boom.
2. The weights of hook (30 kg.), slings, and any accessories attached to the boom or loadline must be deducted from the above capacities in the chart.
3. Capacities shown must reduce in accordance with vehicle weight and loaded condition of truck, crane mounting position, and operating speed.
4. The figures in relation to the speed are on the basis of no-load running at rated oil flow conditions.
5. In accordance with our policy of constant product improvement, all specifications are subject to change without notice or obligations.

UNIC CRANES FEATURES



Buildings, walls, whatever, with UNIC wire-rope cranes you get precise high-lift placement and safe, sure operation.

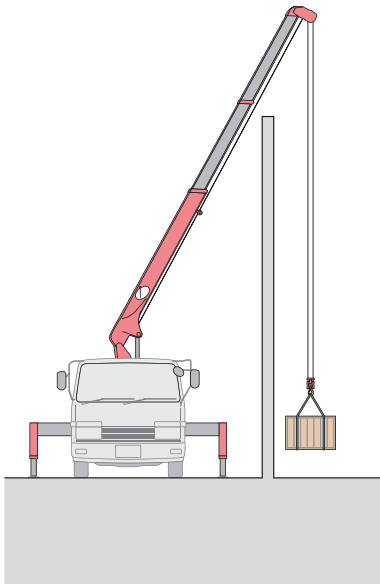
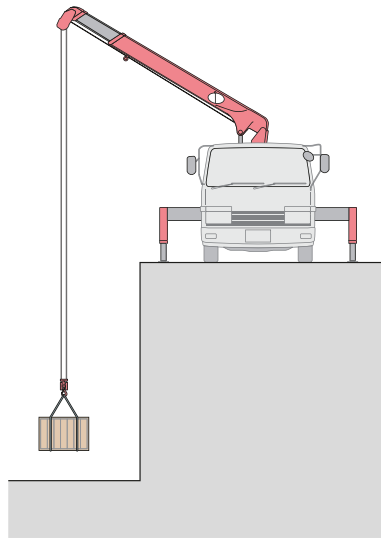
Their dependability is all in their strength and design, original UNIC features.



Higher Performance at lower depths.

UNIC wire-rope cranes handle heavy loads in deep-hole jobs with accuracy and stability.

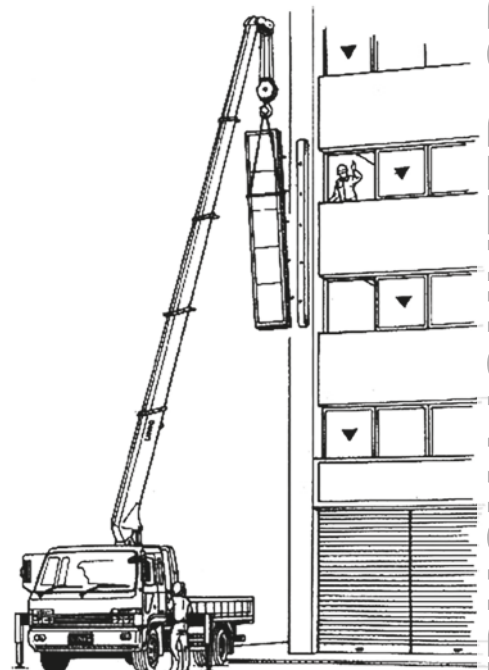
A wide range of models assures versatile matching to job requirements.



Tight Places are the Right Places for UNIC wire-rope cranes.

In any operating situation their strong steel cables mean extra dependability and safety.

High, low, or tight, UNIC wire-rope cranes are always right.



TRUCK MOUNTED CRANES