

## DT22 SPYDER



Working Height 22m

Machine weight 2.8 Ton

Aluminum Cage



### CELA ACCESS PLATFORMS

Spider Plus sells Self Propelled Access Platforms. We are one of the most specialized operators of this type of equipment in the market and our operations and maintenance teams are highly experienced in their respective areas. Self propelled access platforms are a unique solution to confined space lifting. Small enough to fit through a single or double doorway, they can lift up to a capacity of 260kg. Their compact nature means that they are well suited to a variety of complex maintenance problems faced by project teams operating with limited space.

#### Remotes

##### Electronic + Radio

Operators can safely manage the machines from outside the basket using a radio console which gives full control over the hydraulic boom, knuckle and jib.



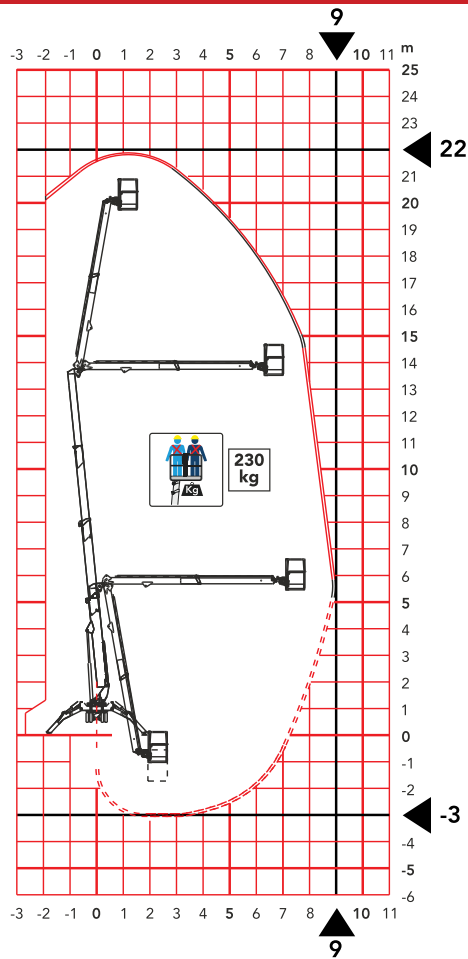
#### Technical Specifications

Working Height	22m
Max. Reach horizontal	9 m
Brace support length	3.6 m
Platform length	1.4 m
Lateral range	9 m / 200 kg
Slewing angle	7200
Radio Remote Control	Standard
Clearance Height	1.95M
Basket Rotation	-90 +90
Basket Capacity	230Kg
Hook Capacity	260Kg
Power	230 Volt Single Phase
Automatic	Automatic Folding
Automatic	Automatic Stabilization
Machine weight	2.8 Ton
Below Ground (Down Reach)	-3 m
Travel speed	0 - 2 km / h

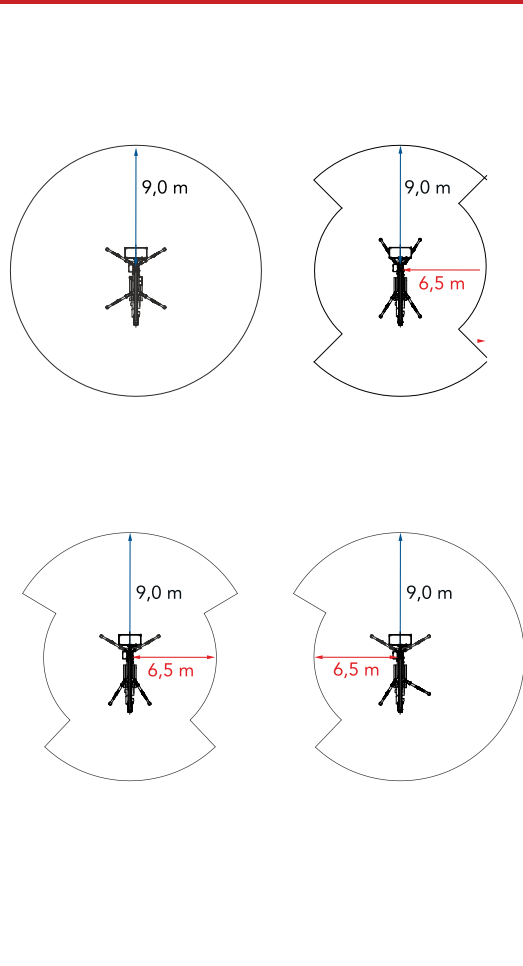
## 22m

### Working Height

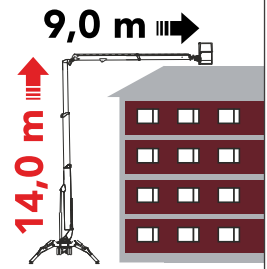
#### Working Envelope



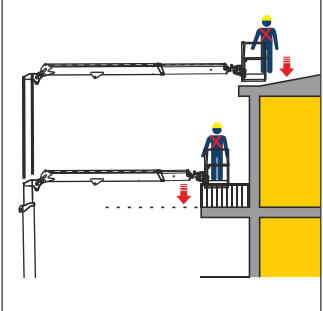
#### Horizontal Reach And Out Reach Position



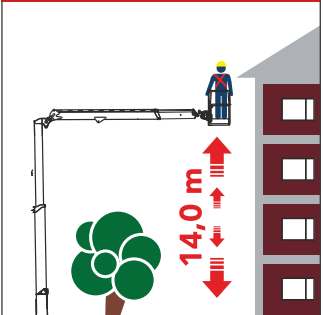
Passiamo sopra ogni cosa  
We fly all over



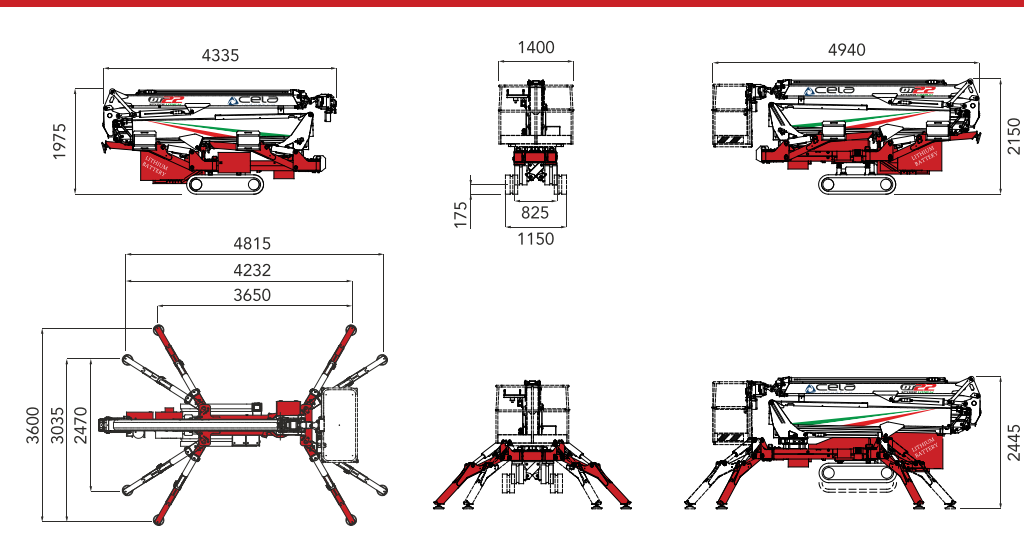
Sbarco in quota autorizzato  
Authorized height landing



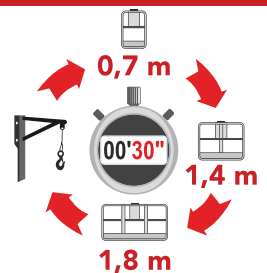
Come un ascensore  
Like an elevator



#### Dimensions



Tutto in uno  
All in one



# 22m

## Working Height

### Standard equipment for DT22

230V Electric Connection In The Cage
230V/50Hz Mono-Phase Inverter Controlled Electro Pump, With Battery
Charger
Acoustic Warning From The Cage
All Function Radio Control
Automatic Stabilization Device
Cage - Aluminium 1400x700x1100 Mm, Max Load 230 Kg, Two Joints
Cage Rotation $\pm 90^\circ$
Hour Counter
Emergency Hand Pump
Flanged Lock Valves On Cylinders
Fully Compensated Hydraulic System With High Pressure Filtering
System
Fully Electronically Operated
Outrigger Pads (4 Items)
Hydraulically Extendable Tracks
Multi-Axial Level
Painting - Cylinders, Turret And Pistons: White RAL 9010
Painting - Mainframe: Blue RAL 5013 Or Black
Painting - Telescopic Booms: Blue RAL 5013 Or White RAL 9010
Remote Management And Diagnostic Software (CRSS)
Triple Cylinder Diesel Water Cooled Kohler Motor (Compliant To CN
CHINA 3 - USA TIER 4 - EU STAGE 5 Non Road Machinery Regulations)
Start/Stop Engine From The Cage
Turret Rotation $720^\circ$

### Lithium Version

10kw Electric Motor Powered by Lithium Batteries  
Type LiFePo4 51,2V 10kwh





# 22m

## Working Height



### List of available options

110V/60Hz Mono-Phase Electro Pump, With Battery Charger
Air/Water Connection Between Cage And Turret, Max Pressure 100 Bar
Anti-Dust Brushes For Boom Protection
Blinking Lights On Outriggers
Cage - Aluminium 700x700x1100 Mm, Max Load 120 Kg, Two Joints
Cage - Aluminium 1800x700x1100 Mm, Max Load 230 Kg, Two Joints
Cage - Fiberglass 800x600x1100 Mm, Max Load 120 Kg, Two Joints
Cage - Fiberglass 1200x620x1100 Mm, Max Load 200 Kg, Two Joints
Cage - Material Handling 1400x700x550/2430x1166x50 Mm, Max Load 200 Kg, Two Joints
Customized Stickers With Customer Logo
Dead Man Pedal In The Cage
Display CAN-Bus 3.5" At Ground

### Suggested options

Air/Water connection between cage and turret, max pressure 100bar
Anti-dust brushes for boom protection
Cage - Aluminium 1800x700x1100 mm
Hoist Hook, max capacity 260 kg
One-click auto-closing function

Extension Outriggers For Self Loading System, Max Height 1300 Mm
Heated Lithium Batteries (Only Lithium Version)
Hoist Hook, Max Capacity 260 Kg
One-Click Auto-Closing Function
One-Click Auto-Opening Function
Remote Management Software (5 Years)
Safety Harness
Special Painting - Mainframe
Special Painting - Upper Part, Cylinders And Outriggers
Ultrasonic Anti-Collision Alarm For Cage Protection
White Non-Marking Tracks
Winch (Electric), Max Load 230 Kg