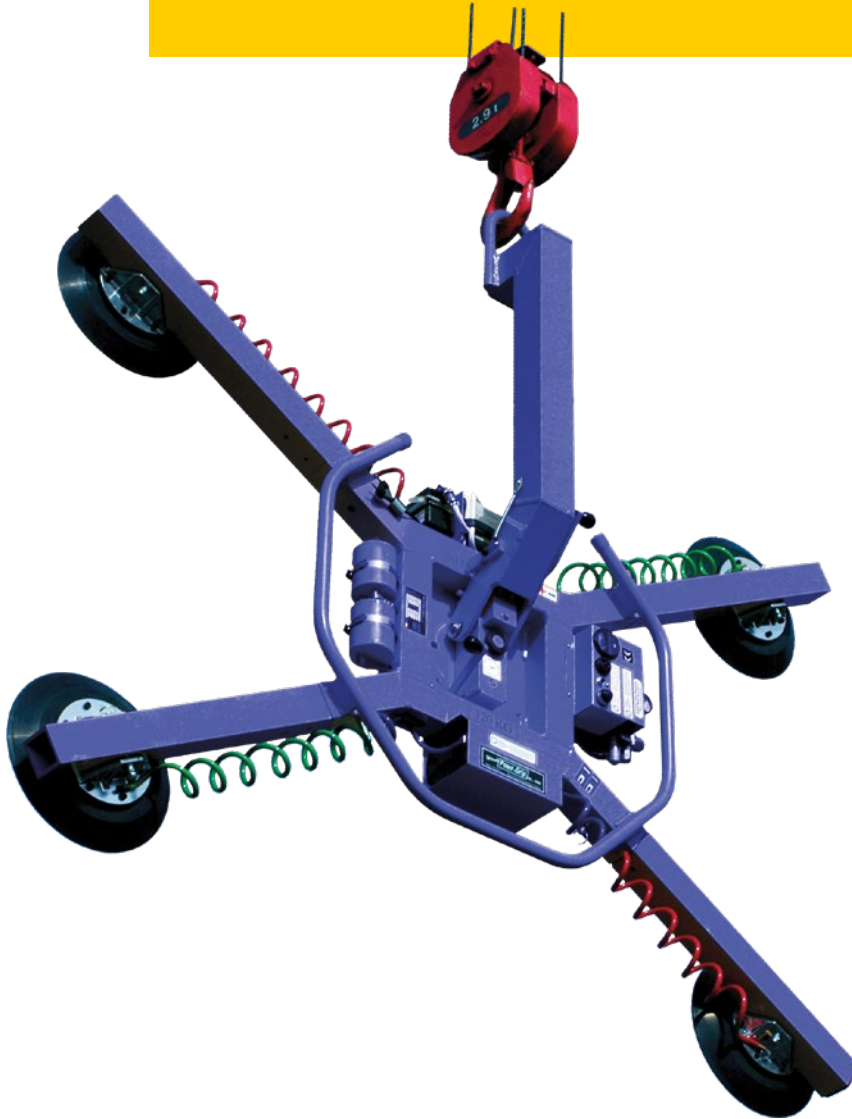


StoneVac 270



Lifter Solutions for all material

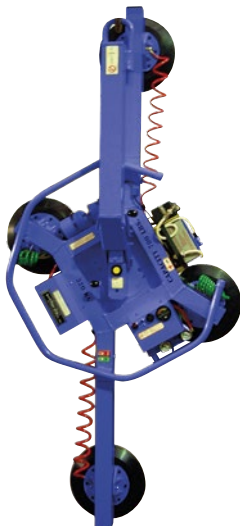
The StoneVac 270 has been developed in-house based on the popular MRT4, with dual circuit vacuum system technology, and is built for versatility.

It delivers 360° rotation and 90° tilt from any position. Using the extension arms and movable pads, at least four frame configurations are possible to cover most load sizes on site or in the workshop.

A variable length lifting arm may be added, allowing easy fitting under soffits and overhangs.

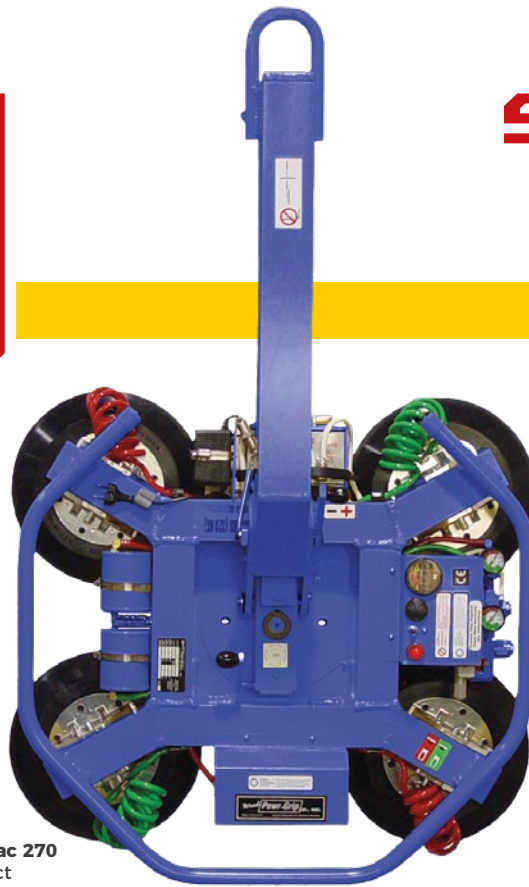
Key Features

- Capacity: 270kg
- Dual circuit vacuum system with reserve tank, non-return valve and vacuum gauge for each circuit
- 90° manual tilting from vertical to horizontal
- Manual 360° lockable rotation (continuous)
- Integral maintenance-free vacuum pump
- 12V 12A DC battery with 2 high flow pumps.
- Audio-visual low vacuum warning
- 4 extension arms allow alternative configurations
- On-board control panel



MRT4 - Variable length lifting arm - 600 (min) - 900mm (max)

270kg
Safe Working Load



StoneVac 270
Compact

Technical Specifications

Safe working load (smooth, clean surface at 60% vacuum)	capacity: 270kg
Number of suction cups	cups: 4 with extension arms
Suction cup	description: Foam lipped Stone pads
Suction cup diameter	diameter: 280mm
Suitable for lifting	material properties: semi-porous surface: smooth, textured and ribbed surfaces example: GRC, GRP, Stone and other semi-porous materials
Weight of lifter	approx: 54kg without extension arms, 70kg with extension arms
Depth of lifter	depth: 292mm
Rotation	rotation: 360° manual continuous lockable
Tilt	tilt: 90° manual
Vacuum system	dual circuit: 2 pumps, 2 vacuum reserve tanks
Voltage	pump: 12V DC from rechargeable battery. battery charger: 110v/240v 50/60Hz single phase factory selectable
Standard accessories	standard 4 x extension arms
Optional accessories	optional variable length lifting arm

Technical Data (mm)

