

G20 Pick & Carry Crane

Popular Slimline Crane With Zero Emissions

This electric powered winch can safely and effortlessly lift loads of up to 250kg, helping to save time on site as well as reduce the risk of worker injury associated with manual handling.

Lightweight, compact and simple to assemble, the Glassmax Electric 250 comes with removable counterweights and folds up easily for transportation.

Spider Plus also have a broad range of vacuum lifters that are compatible with the Glassmax Electric 250 to assist with vertical and overhead glazing installation work.



Optional searcher hook
(Capacity: 150kg)



Optional electromagnetic brakes



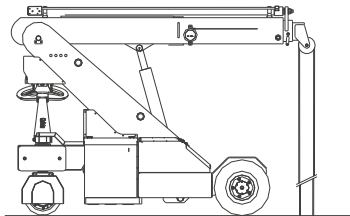
Technical Specifications

Capacity	2.0t x 0.5m
Maximum working radius	3.5m (4.7m with searcher hook)
Maximum lifting height	5.3m (6.32m with searcher hook)
Dimensions	2500mm (l) x 935mm (w) x 1650mm (h)
Weight	2000kg
Boom length	2.15 - 5.15m
Boom type	3 section box boom (1+2 hydraulic, 3 manual)
Derricking angle	-6° to 50°
Steering	Rear 180°
Tyres	1 solid rear, 2 solid front
Power source	24v rechargeable battery
Battery charger	110v
Travel speed	3km/h
Gradeability	±9° (without load)
Standard equipment	<ul style="list-style-type: none"> • Digital safe load indicator • Audio-visual overload alarm • Reversing alarm • Overload warning lamps • Work lamp
Optional equipment	<ul style="list-style-type: none"> • Low marking tyres • Full winch system (1650kg). • Radio remote control • Electromagnetic front brakes • 150kg searcher hook • 800kg rhino hook

2000kg

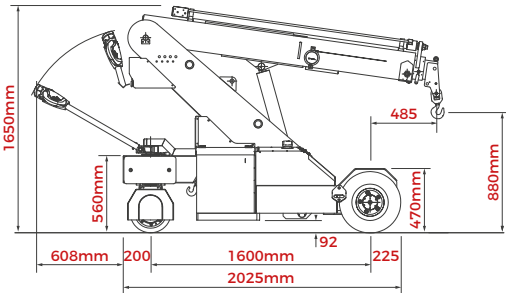
Safe Working Load

G20 Hook Falls

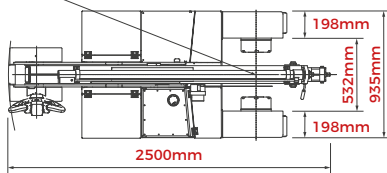


- 4 Fall
11m
1650kg max
- 3 Fall
14.5m
1350kg max
- 2 Fall
22m
900kg max
- 1 Fall
43m
400kg max

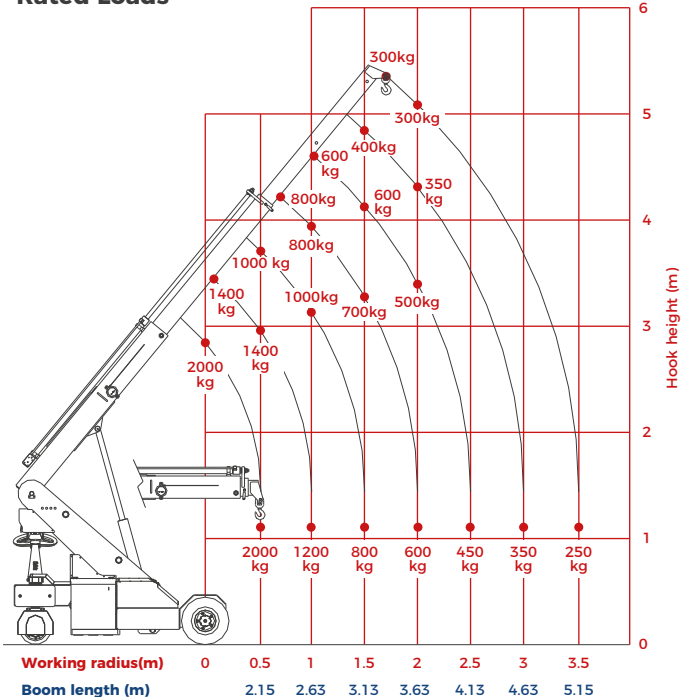
Technical Data (mm)



Turning Circle Radius 1805mm



Rated Loads



Searcher Hook Rated Loads

For G20 & GK20

