

# Oscar 600

## Lift & Shift With Accuracy, Power & Reach

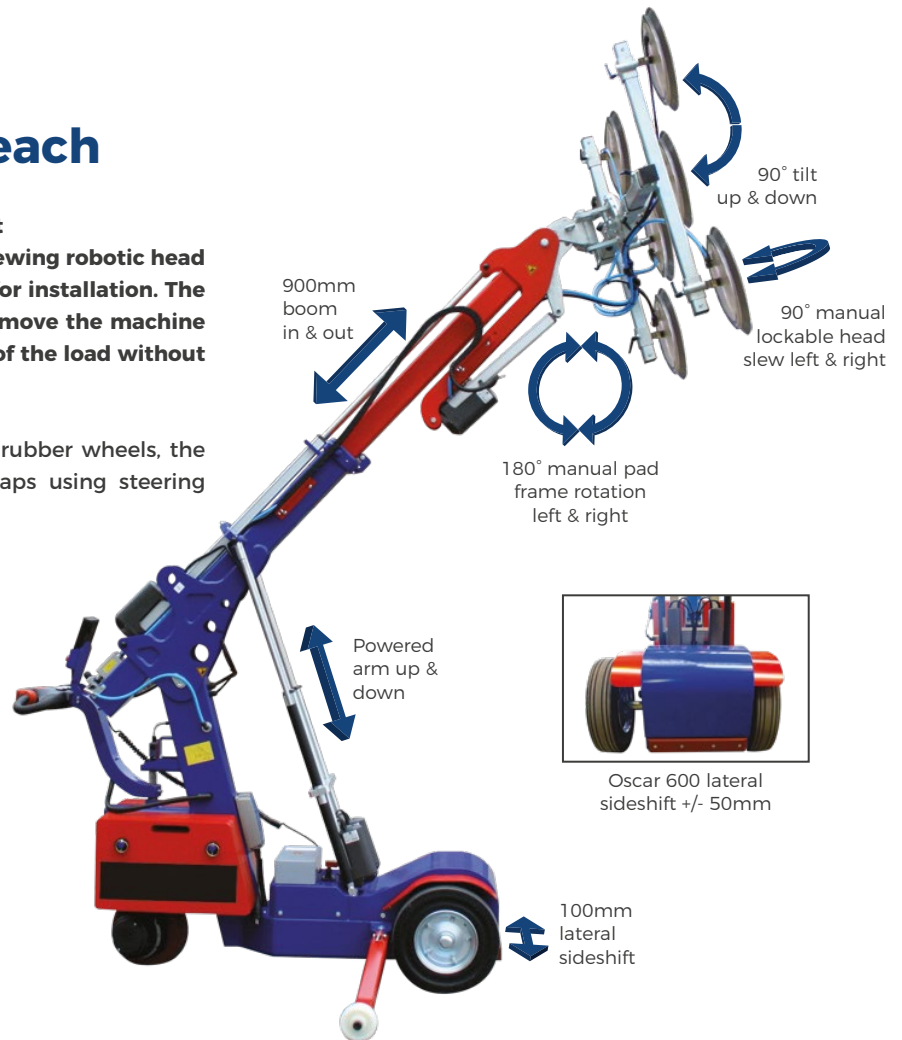
### Optimum Strength Compact Articulated Robot

The Oscar 600 features a rotating, tilting and slewing robotic head which can accurately align glass so it is ready for installation. The useful electric sideshift function can instantly move the machine 50mm left or right to fine-tune the placement of the load without having to waste time repositioning the robot.

With a chassis width of only 780mm and solid rubber wheels, the Oscar 600 can easily move through narrow gaps using steering wheel controls to reach confined working areas.

Using a dual circuit vacuum system, its six suction pads can be securely fixed to glass, metal and window and door elements.

The Oscar 600's telescopic lifting arm extends up to 900mm and comes with an articulated joint combined with precision controls for accuracy.

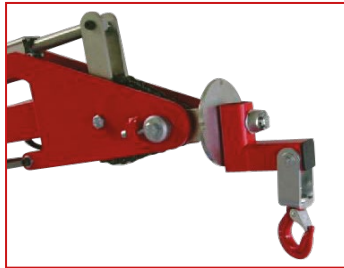


### Technical Specifications

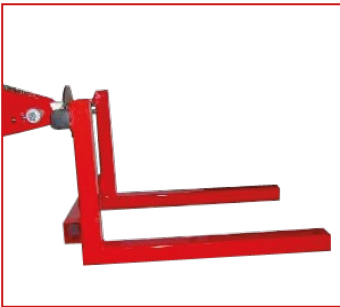
<b>Safe working load</b>	capacity jib 1:	500kg
	capacity jib 2:	300kg
<b>Suitable for lifting</b>	material properties:	gastight / non-porous
	surface:	smooth
	example:	glass, plastic boards, ceramic plates
<b>Weight</b>	with counterweights:	1052kg
	without counterweights:	550kg
<b>Width</b>	width:	780mm
<b>Travelling length</b>	length:	2534mm
<b>Travelling height</b>	height:	1491mm
<b>Number of suction cups</b>	cups:	6
<b>Powered head tilt</b>	powered head tilt:	90° up & down
<b>Powered lateral sideshift</b>	powered lateral sideshift:	100mm
<b>Manual pad frame rotation</b>	rotation:	180° lockable left & right
<b>Manual head slew left &amp; right</b>	manual head slew:	90° lockable increments left & right
<b>Boom in &amp; out</b>	boom in & out:	900mm
<b>Vacuum system</b>	dual circuit:	2 pumps, 2 vacuum reserve tanks
<b>Power requirements</b>	rechargeable battery:	110v/240v charger
	pump:	24v DC (2 x 12v)



**600kg**  
Safe Working Load



Crane hook option



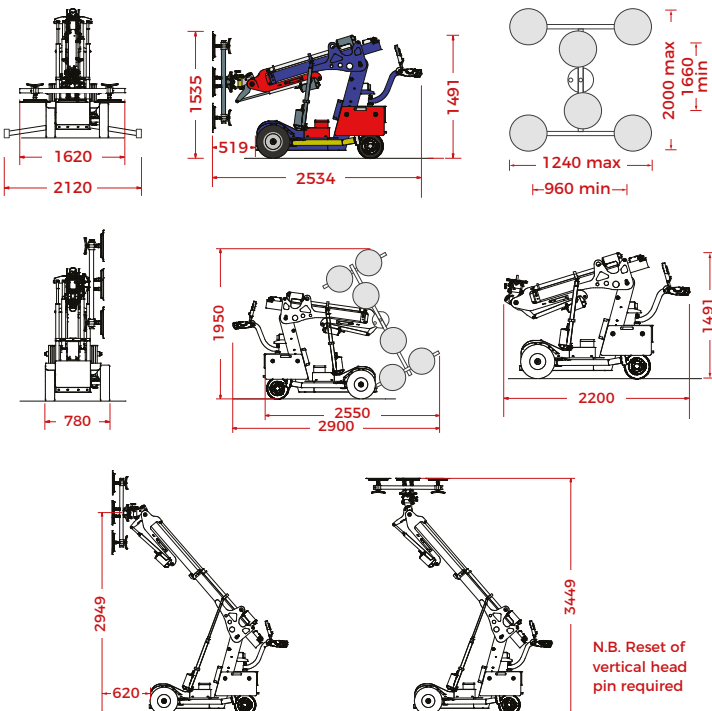
Optional fork lift attachment



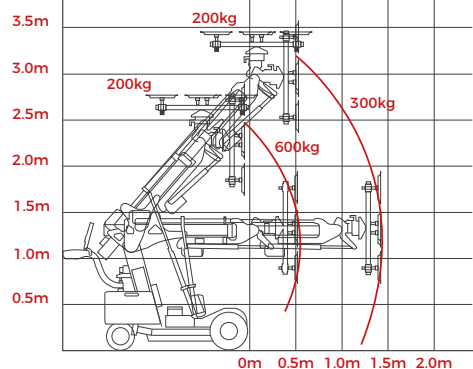
Cable remote control as standard



### Technical Data (mm)



### Rated Loads Diagram



LIFTING SOLUTIONS