

MRTA611 Dual Circuit



Linear Lifter For Long Glass Panels

The MRTA611 takes the proven P11104 design and extends it to a six pad lifting length to provide more capacity and load support for longer glass units.

This popular glass vacuum lifter is a convenient tool for lifting glass, metal, ceramics and other non-porous materials. The MRTA611 enables users to quickly manoeuvre loads into position with its 180° lockable rotation and 90° tilt.

The remarkably low profile of the MRTA611 rotator/tilter, provides maximum versatility and ease of use in confined working locations.

Key Features

- Capacity: 500kg
- Dual circuit vacuum system with reserve tank, non-return valve and vacuum gauge for each circuit
- 90° manual tilting from vertical to horizontal
- Manual 180° lockable rotation
- Integral maintenance-free vacuum pump
- 12v rechargeable battery with integral 110v or 240v charger and battery energy gauge
- Audio-visual low vacuum warning
- On-board control panel



Classmax 500 with short hook (eye bolt) MRTA611

500kg
Safe Working Load



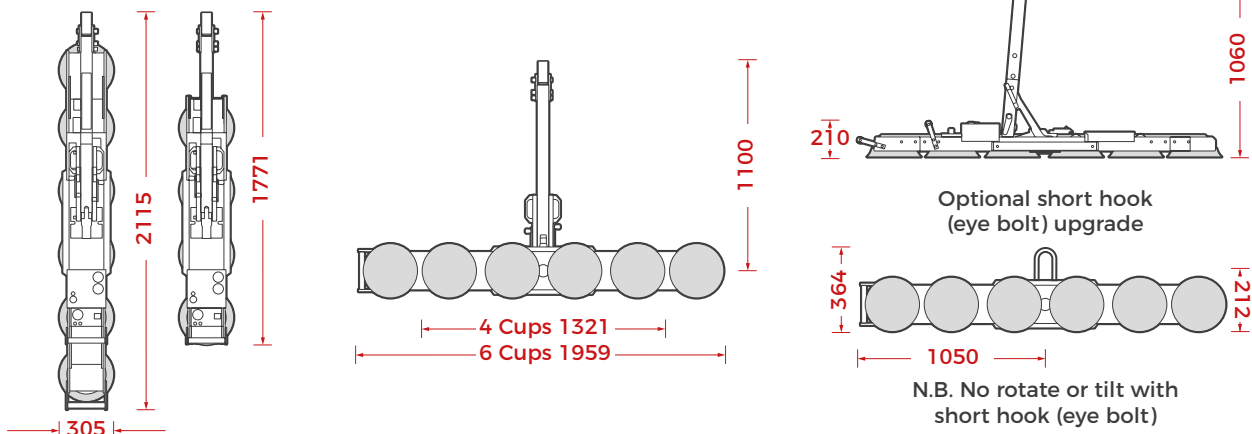
MRTA611 reduced to 4 pad configuration
Capacity: 334kg



Technical Specifications

Safe working load (smooth, clean surface at 60% vacuum)	capacity:	500kg	334kg
Number of suction cups	cups:	6	4
Suction cup	description:	black rubber, not abrasion resistant.	
Suction cup diameter	diameter:	305mm	
Suitable for lifting	material properties:	gastight / non-porous	
	surface:	smooth	
	example:	glass, plastic boards, ceramic plates, sheet metals, coated boards	
Weight of lifter	approx:	58kg	50kg
Depth of lifter	depth:	210mm	
Rotation	rotation:	90° manual left & right lockable	
Tilt	tilt:	90° manual	
Vacuum system	dual circuit:	1 pump, 2 vacuum reserve tanks	
Voltage	pump:	12v DC from rechargeable battery	
	battery charger:	110v/240v 50/60Hz single phase factory selectable	
Optional accessories	optional	<ul style="list-style-type: none"> • Short hook (eye bolt) • Stone pads (405kg capacity) • Curved pads (405kg capacity) 	

Technical Data (mm)



VACUUM LIFTERS