

# P11104 Dual Circuit

## “Four-In-Line”



## Bestseller Built For Safety

This bestselling glass vacuum lifter is a convenient tool for lifting glass, metal, ceramics and other nonporous materials. The P11104 enables users to quickly manoeuvre loads into position with its 180° lockable rotation and 90° tilt.

Engineered and tested for its reliability, safety and durability, the P11104 lifter comes with a 320kg lifting capacity and on-board power with a rechargeable battery, so there are no tricky cords to deal with during operation.

An optional short hook is also available when fitting glass under soffits or overhangs.

### Key Features

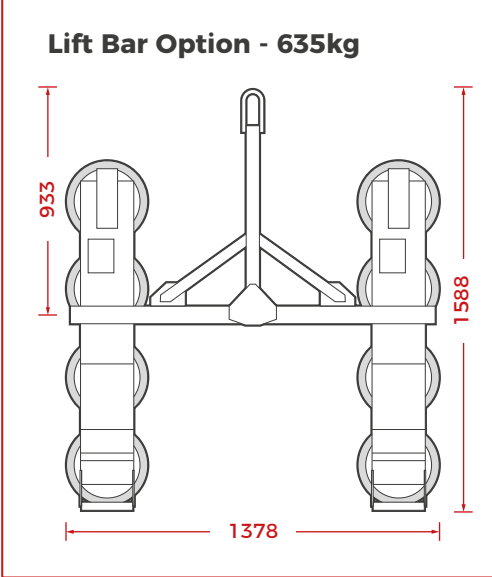
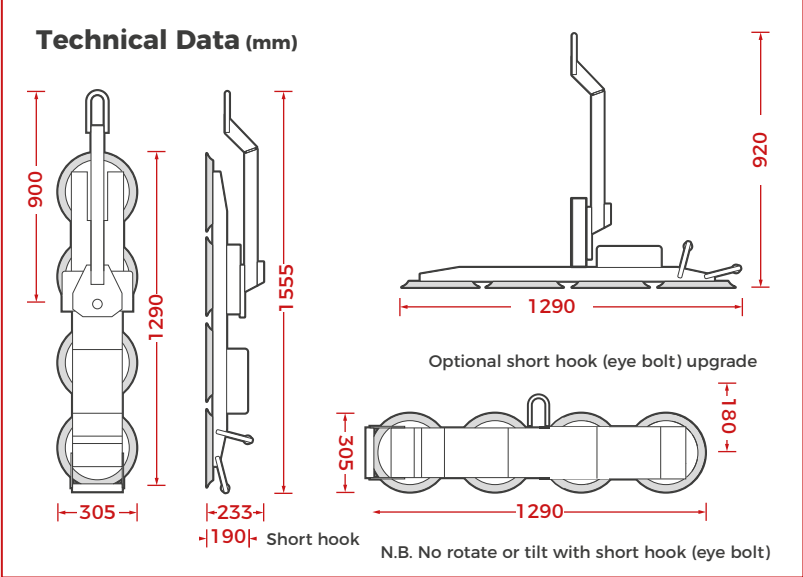
- Capacity: 320kg
- Dual circuit vacuum system with reserve tank, non-return valve and vacuum gauge for each circuit
- 90° manual tilting from vertical to horizontal
- 180° rotation, lockable in three positions
- Integral maintenance-free vacuum pump
- 12v rechargeable battery with integral 110v or 240v charger and battery energy gauge
- Audio-visual low vacuum warning
- On-board control panel



**320kg**  
Safe Working Load



Technical Specifications	
<b>Safe working load</b> (smooth, clean surface at 60% vacuum)	capacity: 320kg
<b>Number of suction cups</b>	cups: 4
<b>Suction cup</b>	description: black rubber, not abrasion resistant, heat resistant up to 100°F
<b>Suction cup diameter</b>	diameter: 305mm
<b>Suitable for lifting</b>	material properties: gastight / non-porous surface: smooth example: glass, plastic boards, ceramic plates, sheet metals, coated boards
<b>Weight of lifter</b>	approx: 34kg
<b>Depth of lifter</b>	depth: 233mm
<b>Rotation</b>	rotation: 90° manual left & right lockable
<b>Tilt</b>	tilt: 90° manual
<b>Vacuum system</b>	dual circuit: 1 pump, 2 vacuum reserve tanks
<b>Voltage</b>	pump: 12v DC from rechargeable battery battery charger: 110v/240v 50/60Hz single phase factory selectable
<b>Optional accessories</b>	optional <ul style="list-style-type: none"> <li>• Short hook (eye bolt)</li> <li>• Curved pads (270kg capacity)</li> <li>• Stone pads (270kg capacity)</li> </ul>



VACUUM LIFTERS