

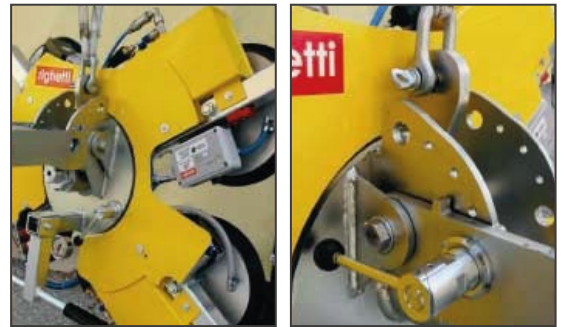
# Maxgrip 1200



The Maxgrip 1200 vacuum lifter is an ideal choice for larger panels.

The lifter has a large pad spread, and includes a raft of features such as multi-lockable rotation, a smart control system and multiple lifting points to better stabilize the load. It also features pad-side valving to allow for rapid connection and disconnection from the load.

The lifter features large diameter pads, which allows the unit to handle heavy loads with fewer pads.



Lowered suspension for installation of transom windows offers a coupling point in the center of the lifter, allowing a reduced distance of the hook.

## Technical Specifications

<b>Safe working load</b> (smooth, clean surface at 60% vacuum)	capacity:	600kg	1200kg
<b>Number of suction cups</b>	cups:	4	8
<b>Suction cup</b>	description:	black rubber, not abrasion resistant.	
<b>Suction cup diameter</b>	diameter:	390mm	
<b>Suitable for lifting</b>	material properties: surface: example:	flat gastight / non-porous smooth glass, plastic boards, sheet metals, coated boards	
<b>Weight of lifter</b>	approx:	75kg	117kg
<b>Depth of lifter</b>	approx:	250mm	
<b>Rotation</b>	rotation:	360 degree rotation 45 degree lockable	
<b>Tilt</b>	tilt:	90 degree manual, lockable at 0 degrees and 90 degrees	
<b>Vacuum system</b>	dual circuit:	1 pump, 2 vacuum reserve tanks	
<b>Voltage</b>	pump: battery charger:	12v DC from rechargeable battery 240v single phase	
<b>Optional accessories</b>	optional	<ul style="list-style-type: none"> <li>• Extensions Arms</li> <li>• Fixed Stand</li> </ul>	

## Key Features

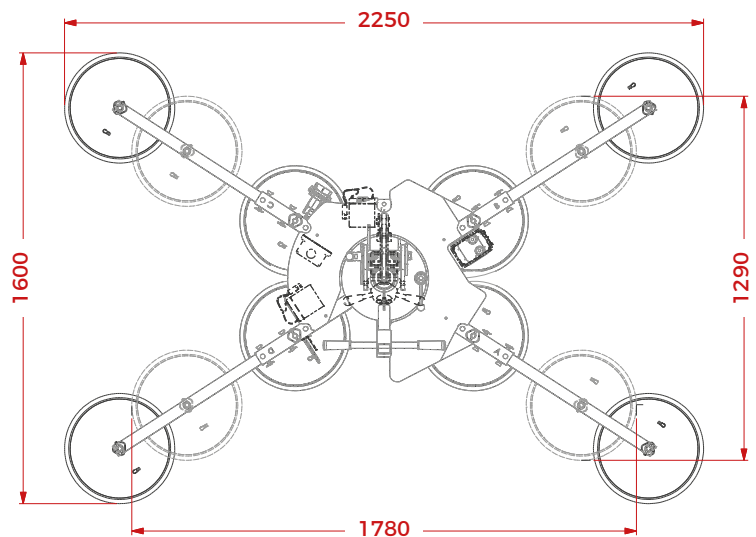
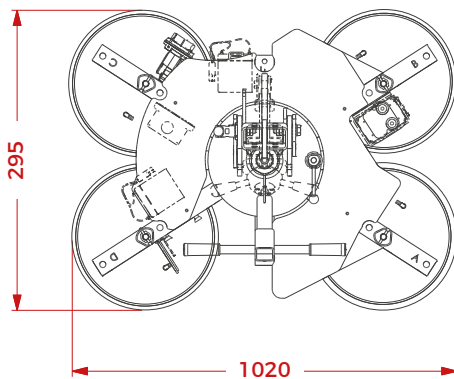
- Lifting capacity max 1200 kg
- Dual vacuum circuit
- Vacuum tank
- 8 Larger suction pads Ø 390 mm
- Removable pad arms
- Battery operating system
- Manual continues 360° rotation
- Manual 90° tilt
- Low vacuum warning device
- Compact and slim frame
- Acoustic and Visual Alarm
- Suspension for obtaining various angles
- Tilting block at 0° and 90° available on all models with manual tilt
- Double action off command

# 1200kg

Safe Working Load



### Technical Data (mm)



VACUUM LIFTERS