

URW-506



- Total width 1.4m
- Max working radius 15.52m
- Diesel powered and optional mains electric
- Zero length increase with electric option
- Operator control of outrigger extension
- Intelligent voice warning system
- Radio remote control as standard
- Intelligent throttle activation for economy and ecology

The URW-506 offers an optimal combination of working flexibility and heavy lifting power. This crane is capable of lifting 3 tonnes at 3.4m or up to 4 tonnes with an optional 5 fall hook block. As with all the UNIC spider crane models carrying a safe load indicator, the URW-506's working area limitation device allows the operator to pre-define the working area giving greater control and safety in sensitive areas. On approaching these limits, function speeds are reduced and an audible alarm is given before operation stops.

Remotes



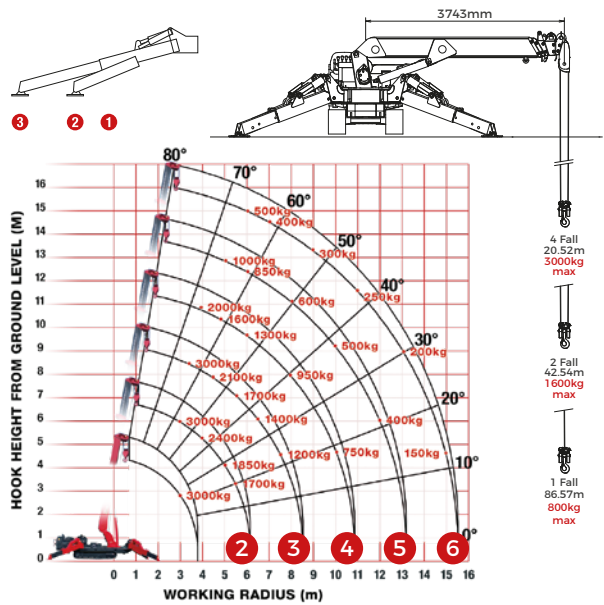
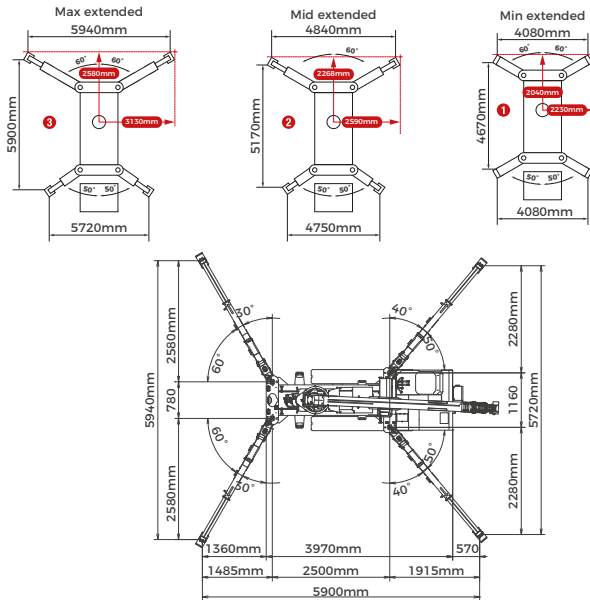
Standard radio remote control

Crane Specifications

Crane capacity	capacity:	3.0t x 3.4m (506-1 4.0t x 2.5m with 5 fall hook block)
Max working radius	max:	15.52m
Max lifting height	approx:	16m (17.79m with fly jib, 18.46m with fixed hook)
Rope length	max:	20.52m (4 fall), 42.54m (2 fall), 86.57m (1 fall)
Dimensions	folded:	4870mm (l) x 1400mm (w) x 2035mm (h)
Weight	unladen:	4840kg (4990kg with electric option)
Point loadings	Due to the many variables involved, point loadings are only available on request	
Hook speed	approx:	17m/min (with 4 layers and 4 falls)
Telescopic system	boom length: telescoping speed: boom type:	3.93 - 15.71m 11.78m / 35 seconds 6 section hydraulically telescoping boom, hexagonal box construction
Derricking angle/speed	approx:	0 - 80°/18.0 seconds
Slewing angle/speed	approx:	360° (continuous) 2.5min rpm
Traction system	drive: travel speed: gradeability: track ground length: track ground pressure: track width:	hydrostatic 2-speed, stepless forward and reverse 0 - 3 km/h ± 20° (vertical), 20° (traverse) 1750mm 45.1kPa (0.46 kg/cm ²) 300 mm
Engine	manufacturer: drive: maximum output: starting method: tank capacity:	Mitsubishi / Yanmar diesel (electric dual power option) 18kW (24.5PS) / 2100min rpm electric 40 litres
Electric motor	power: voltage:	7.5kW 400v AC 50/60Hz
Standard equipment	computer controlled moment limiter (safe load indicator), radio remote control, overwinding alarm, computer controlled intelligent voice warning system, multi-function operation by radio remote control, intelligent throttle activation, automatic hook stow, overload warning alarms, overload warning lamps, working area limitation	
Optional equipment	1 fall hook block, 2 fall hook block, mains electric dual power (400v), 5 fall hook block, searcher hook 700kg, fly jib 700kg with single part line.	

Up to
4.0t
Safe Working Load

Rated Loads & Outrigger Positions



SECOND STAGE EXTENDED 3.93 - 6.33 m BOOM LENGTH

Working radius	m	up to 2.5	3.0	3.4	4.0	4.5	5.0	5.5	6.0
Outrigger	Max-extended	kg 3,000 (4,000)	3000 (3,350)	3000	2400	2100	1850	1700	1550
	Mid-extended	kg 3,000 (4,000)	3000 (3,350)	3000	2400	2100	1850	1700	1400
	Min-extended	kg 3,000 (4,000)	3000 (3,350)	3000	2400	2000	1650	1350	1100

*Loads shown in blue are applicable for the 5 fall hook block URW-506-1 only. All other loads shown in black apply to both the standard URW-506 and the URW-506-1.

THIRD STAGE EXTENDED 6.33 - 8.72 m BOOM LENGTH

Working radius	m	up to 3.0	3.4	4.0	4.5	5.0	5.5	6.0	6.5	7.0	7.5	8.53
Outrigger	Max-extended	kg 3000	3000	2400	2100	1850	1700	1550	1400	1300	1200	1000
	Mid-extended	kg 3000	3000	2400	2100	1850	1700	1400	1200	1050	850	620
	Min-extended	kg 3000	3000	2400	2000	1650	1350	1100	900	750	600	450

FOURTH STAGE EXTENDED 8.72 - 11.05 m BOOM LENGTH

Working radius	m	up to 4.0	4.5	5.0	5.5	6.0	7.0	8.0	9.0	10.0	10.86
Outrigger	Max-extended	kg 2000	1800	1600	1450	1300	1100	950	850	750	640
	Mid-extended	kg 2000	1800	1600	1450	1300	1050	700	600	450	390
	Min-extended	kg 2000	1800	1600	1350	1100	750	500	400	300	250

FIFTH STAGE EXTENDED 11.05 - 13.38 m BOOM LENGTH

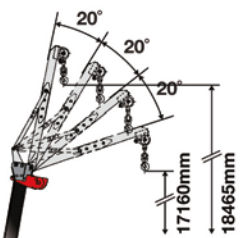
Working radius	m	up to 5.0	5.5	6.0	7.0	8.0	9.0	10.0	11.0	12.0	13.19
Outrigger	Max-extended	kg 1000	920	850	700	600	550	500	450	400	350
	Mid-extended	kg 1000	920	850	700	600	520	450	390	300	250
	Min-extended	kg 1000	920	850	700	500	400	300	250	200	170

SIXTH STAGE EXTENDED 13.38 - 15.71 m BOOM LENGTH

Working radius	m	up to 6.0	7.0	8.0	9.0	10.0	11.0	12.0	13.0	14.0	15.52
Outrigger	Max-extended	kg 500	400	350	300	250	250	200	200	150	150
	Mid-extended	kg 500	400	350	300	250	250	200	200	150	150
	Min-extended	kg 500	400	350	300	250	230	200	170	150	100

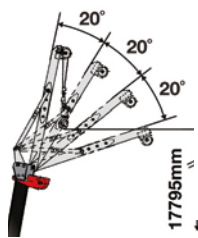
Searcher Hook

Maximum Load
350kg - 700kg
(radius rated)



Fly Jib

Maximum Load
350kg - 700kg
(angle rated)



Dimensions

