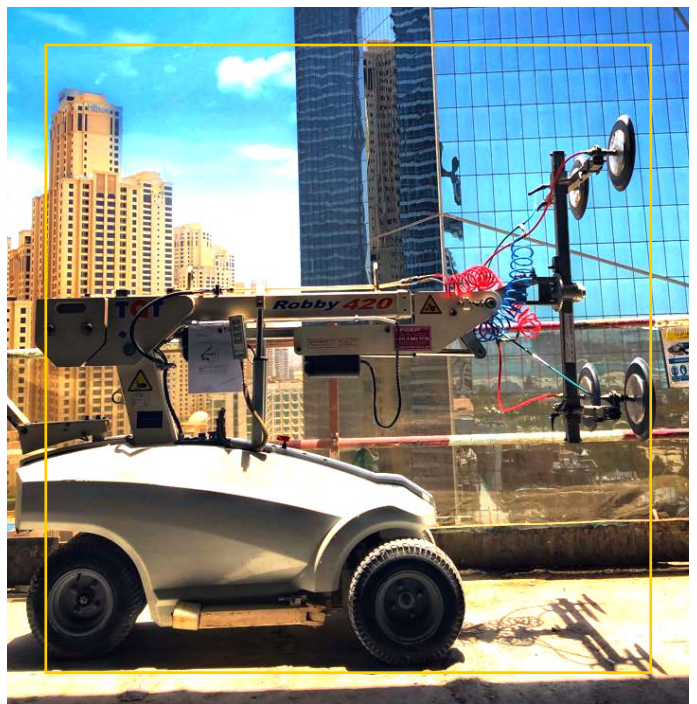


# Robby 420 - Universal



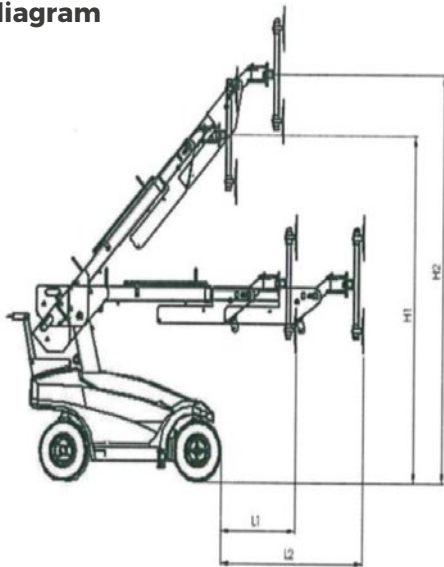
## The all-terrain Glazier

The lift head of the Robby 420 **universal** you can turn in all directions and it is possible to telescope the arm electrical 600 mm for-ward. Similarly, the flexible head is tiltable up and down as well as 360° manual rotatably. 180° pivotable side-ways and 200 mm on the front axle laterally displace-able by motor. The TGT Robby 420 **universal** is equipped with a powerful electric-wheel drive and, of course, with a 2 circuit suction device according to EN 13155.



**420kg**  
Safe Working Load

### Payload diagram



	L1	L2	H1	H2
<b>payload</b>	420 kg	200 kg	250 kg	200 kg
<b>distance</b>	850 mm	1225 mm	2380 mm	2830 mm

### Technical Specifications

<b>Total weight:</b>	680kg
<b>Overall height:</b>	1430 mm
<b>Overall width:</b>	800 mm
<b>Overall length:</b>	2300 mm
<b>Telescopic length:</b>	600 mm
<b>Mobility of the flexible Suction head:</b>	-100° to + 100°
<b>Speed regulation:</b>	continuously
<b>Side shift</b>	200 mm
<b>Lifting height</b>	2800 mm
<b>Charging current:</b>	230 volts
<b>Charger</b>	Cetek XT 14000
<b>Batteries</b>	(2x12V) /2x105 A
<b>Operating time</b>	app. 30 hours
<b>Cups:</b>	4 round

Suction device built to specs according to EN13155



LIFTING SOLUTIONS