

# Osler Boy 650

**650kg**  
Safe Working Load

With a lifting capacity of up to 650kg and a maximum hook height of 2.8m, the Osler Boy 650 is a compact and lightweight crane that can be used between floors for raising loads from the ground with its optional electric hoist

The Osler boy 650 can assist with a broad range of lifting applications. It is ideal for shop-front glazing and fitting below overhangs when used in conjunction with below-the-hook devices such as Spider Plus's range of vacuum lifters.



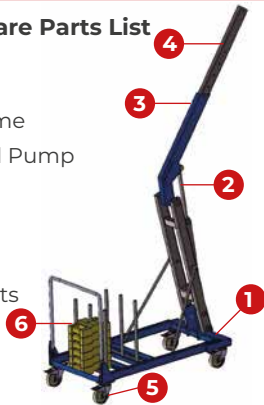
## Key Features

- Capacity: 650kg
- Maximum hook height of 2.8m
- Hydraulic lifting arm
- Optional electric hoist for raising loads from the ground up
- Lockable rear wheels
- Easily assembles and disassembles for transport by van
- Vacuum lifter hired/sold separately
- Weight: 955kg (with counterweights)

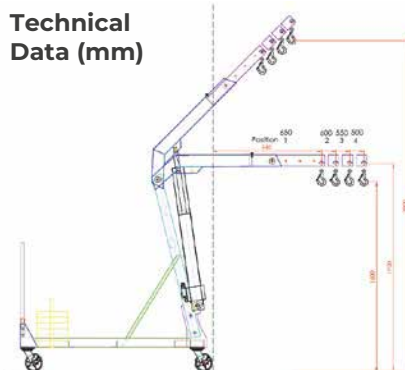
## OSLER Boy 650 Spare Parts List

### Pos. Description

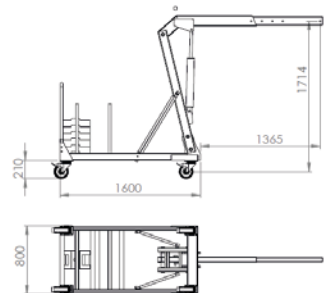
- 1 Main Body Frame
- 2 Hydraulic Hand Pump
- 3 Main Jib
- 4 Secondary Jib
- 5 Caster Wheels
- 6 Counter Weights



## Technical Data (mm)



## Dimensions



## Technical Specifications

	Capacity	Arm Extension
<b>Position 1</b>	650 Kg	960mm
<b>Position 2</b>	600kg	1080mm
<b>Position 3</b>	550kg	1200mm
<b>Position 4</b>	500kg	1320mm
<b>Weight (without counterweights)</b>	205kg	
<b>Weight (with counterweights)</b>	955kg	
<b>Counterweights</b>	30 x 25 Kg Each	

